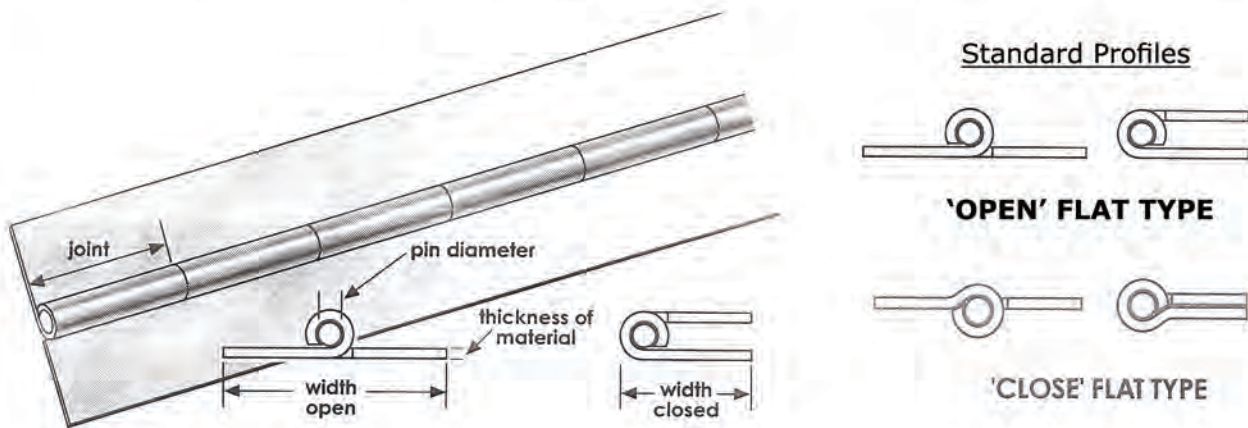


Continuous hinges, or piano hinges after their development for use on piano keyboard lids, provide a visually neat and high quality solution to the hinging of any lid or door. Unlike butt hinges, they provide alignment over the full length of the door as well as achieving even distribution of the door weight. They are traditionally supplied in standard lengths of 72" (1.83m) in the UK but can be supplied in longer/larger sizes if required.

Most common for general purpose use is the "open" flat type (see diagram) and it should be noted that when closed, there will be a gap between the leaves equal to the diameter of the hinge pin. If for any reason this is not desirable, select the "close" flat option.



Hinges are specified as follows:

- 1) **Select material required: Aluminium, Brass, Mild steel or Stainless steel**
- 2) **Select thickness of material**
- 3) **Select width Open**
- 4) **Select pin diameter**
- 5) **Select joint (knuckle) length***
- 6) **State "open", "close" or other style required.**

*The length of the joint has no mechanical significance and is therefore largely cosmetic. However, if it is intended to cut continuous hinges into shorter lengths, then it is important to cut only at the joints. In this case, smaller joints may be more appropriate.

Piano hinges are normally supplied from stock without holes and self-colour finish. If holes are required, they can be provided to various standard patterns (see page 2) and tolerances. Countersunk holes can also be specified, as well as special coatings. Lead times on the foregoing will vary and are normally the subject of specific quotation and possibly minimum order quantities.

It should be noted that holes pierced from standard tools will not line up with pre-drilled holes in other components and may not be consistent from batch to batch or hinge to hinge.

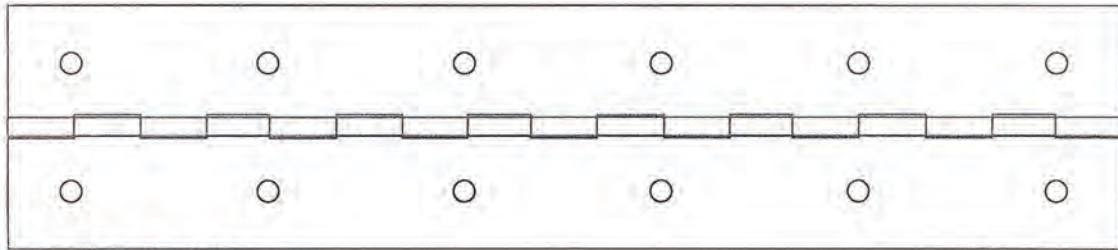
Holes can be provided exactly to customers drawings, usually by making a piercing tool especially for the hinge but this may not be cost effective for small quantities.

We can also offer flexible nylon hinge in coil lengths of 15.25 metres in 4 different sizes and in a choice of black, white or grey. This is commonly used for commercial vehicle or similar applications. See illustration below:

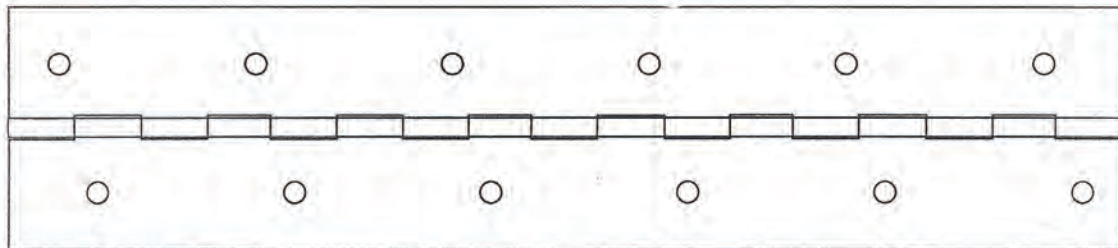


Continuous Hinge

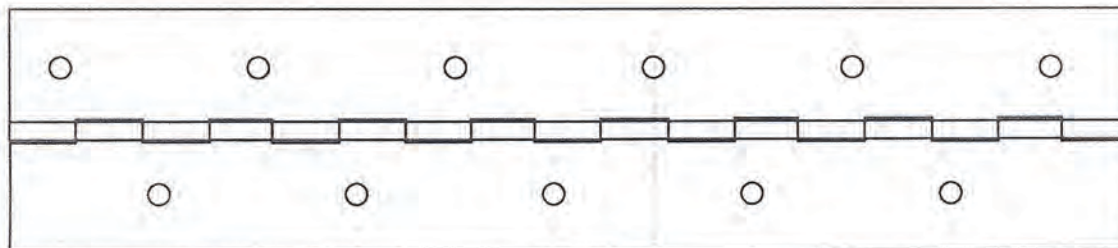
Standard Hole Patterns



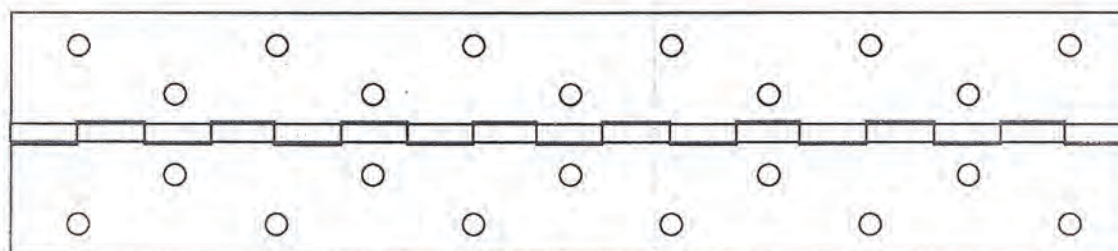
Standard Pattern



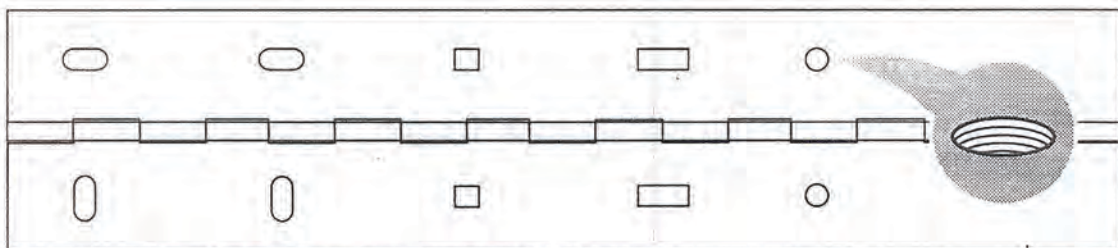
Offset Pattern



Staggered Pattern



Security Pattern



Slots/Square Holes/Plunged/Tapped Holes etc.

These notes are intended for general guidance only. Please refer to the relevant data sheets for full details of any of the products mentioned.