

1-125 Quarter-Turn with Combination Lock Pr20.1 L18

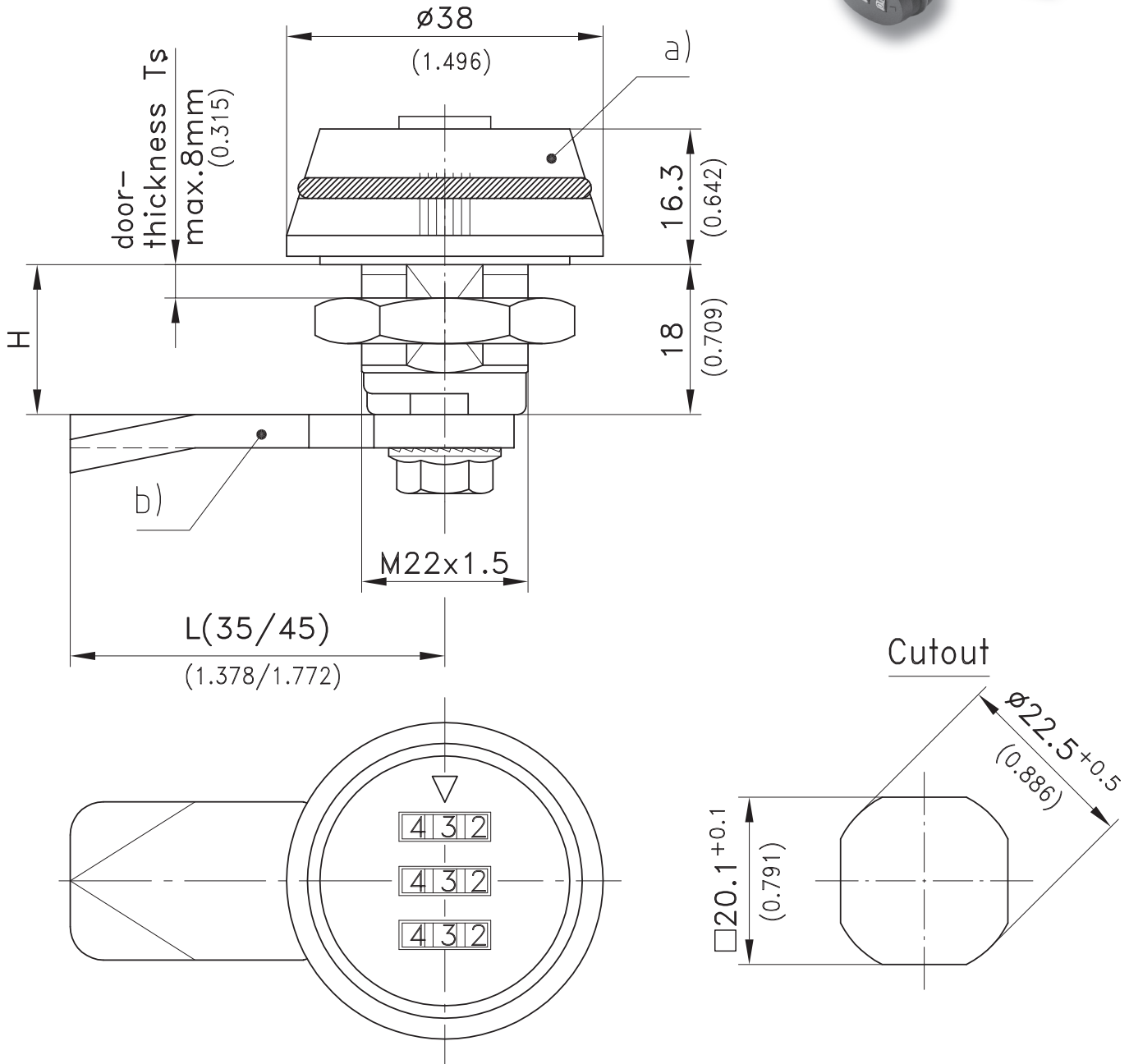
for cutout 20.1, length 18



- Quarter-Turn with Combination Lock
- RH or LH application.
 - A pre-assembled Quarter-Turn can be installed in the cutout.
 - O-ring on handle improves grip.
 - Water- and dust-tight according to IP65 DIN EN 60529.
 - For combination set or reset please refer to enclosed instructions.
 - Modifying the combination just in closed state possible.

Material:

- **Handle and housing:** zinc die, chrome plated or black
- **Cam:** steel, zinc plated
- **O-Ring:** Perbunan



	zinc die, chrome plated	zinc die, black	see page
a) Quarter-Turn (without cam)	100-9301	100-9302	
b) Cams			02.78
c) Assembling cam 90° to handle without O-ring	200-0019	200-0019	
Assembling cam for left door	200-0020	200-0020	