

# 7-081 Quarter-Turn with Insert SW13 Pr20.1 L18

for cutout 20.1, length 18, stainless steel AISI 316L

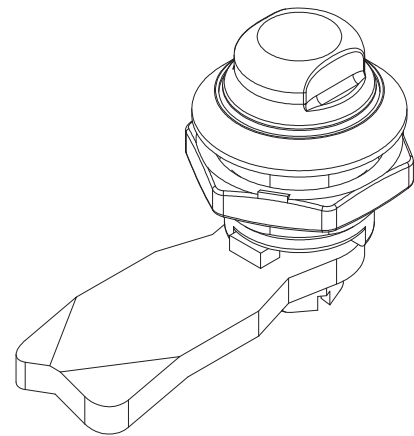
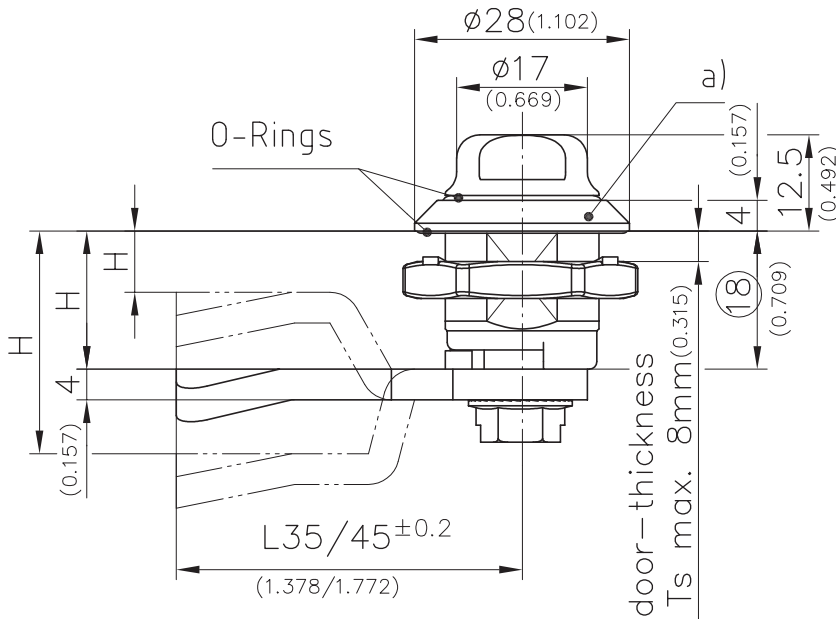


Quarter-Turn stainless steel with insert SW13.

- The food sector and clean room areas are some of the applications.
  - Intensive to dirt and easy to clean by means of polished surface and transition radii.
  - RH or LH application.
  - Water- and dust-tight according to IP67 DIN EN 60529 upon two O-Rings.
  - Cam can be delivered pre-assembled upon request.
- A pre-assembled Quarter-Turn can be installed in the cutout.
  - Grounding by single sided grounding nut.

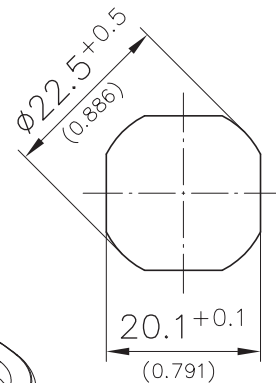
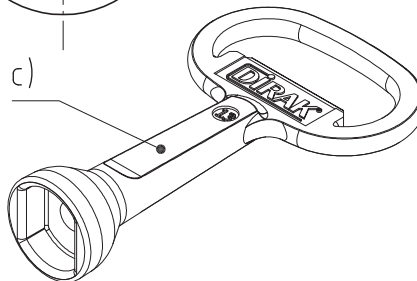
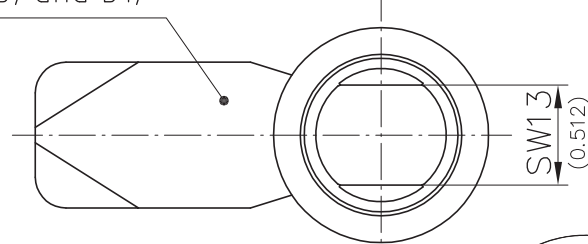
**Material:**

- **Housing, grounding nut and insert:** stainless steel AISI 316L
- **Cams and serrated screws:** stainless steel AISI 304
- **O-Rings:** Silicon, red, FDA conform



Cutout incl. paint

b) and b1)



	Part No.	see page
a) Quarter-Turn (Insert, Grounding nut, O-Rings, Serrated screw)	100-9501	
b) Cams L45mm / 1.772		10.16
b1) Cams L35mm / 1.378		10.16
c) Female key, hollow (Material: zinc die, untreated)	204-0140	
d) Assembling of cam, with O-ring	200-0002	