

2-091 Swinghandle RS PrC

for cutout C, for round rods, compl. zinc die

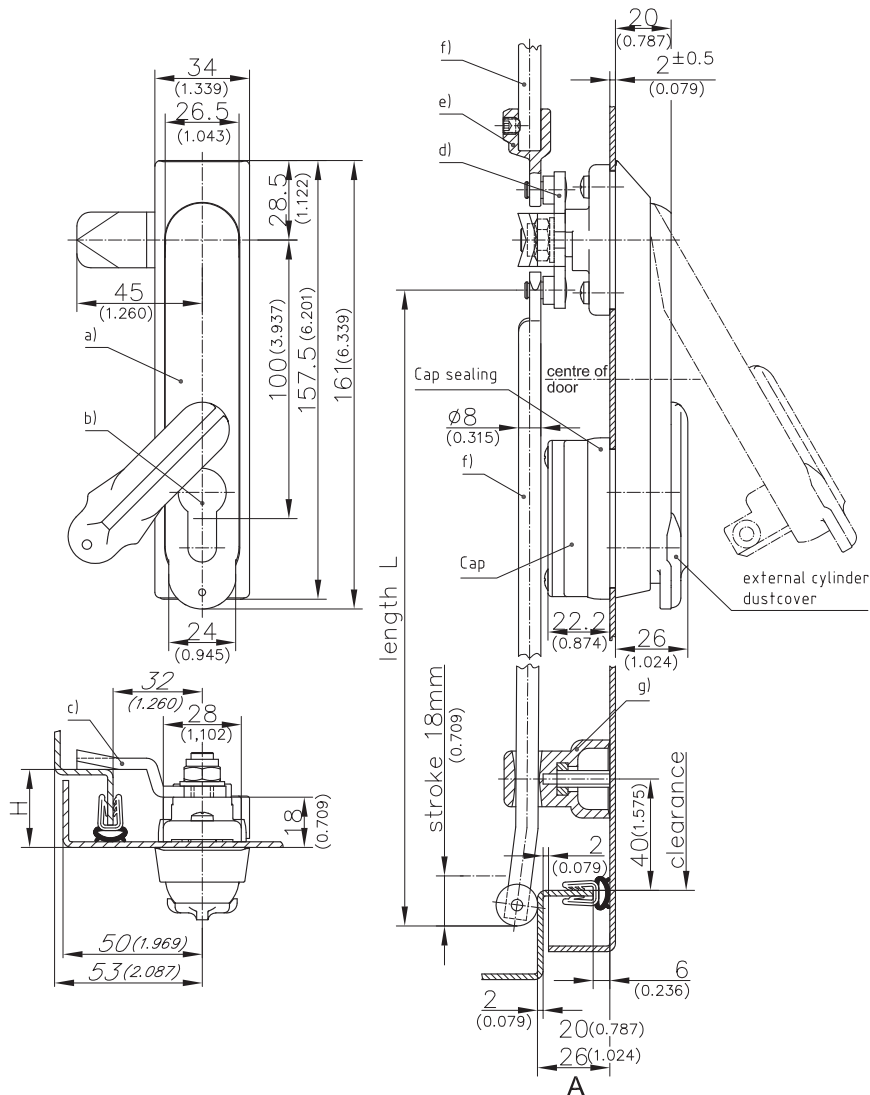


Swinghandle for 3-point cams/round rods.

- Swinghandle with 90° closing rotation.
- Dish and handle: Zinc die.
- Suitable for profile-cylinders 40mm with 45° locking cam.
- Water- and dust-tight according to IP65 DIN EN 60529.
- RH and LH application.
- Cutout 50x25mm version PrC see product system 3-010.
- For further handle versions see product system 2-090, please contact DIRAK.

Material:

- **Dish and handle:** zinc die, black
- **Bearing plate:** zinc die, untreated
- **Cover:** zinc die, black
- **Shaft:** brass, untreated
- **Cap:** PA6 30GF black
- **Wave washer:** spring steel
- **Tapping screws:** steel, zinc plated
- **Countersunk screw:** stainless steel
- **Cap sealing and O-rings:** NBR



	Part No.	see page
a) Swinghandle with cap and external dustcover for profile-cylinder 40mm	107-9208	
b) Profile-cylinder		03.42, 03.43
c) Cams		02.45, 02.78, 02.82
d) 3-point cams		02.78, 03.46
e) Adapter for round rods		02.103, 02.102
f) Round rods		02.97, 02.98
g) Rod guide for bending A20	200-3601.03	
Rod guide for bending A26	200-3602.03	
Sliding Cap	207-9702	03.14
The sliding cap can be used for profile-cylinders from product system 2-140 and also for raised profile cylinders.		