

1-100 Quarter-Turn Pr20.1 L18

for cutout 20.1, length 18

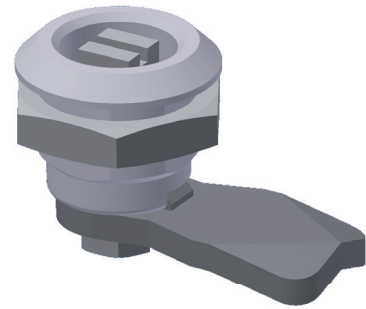


Quarter-Turn, RH or LH application.

- The Quarter-Turn consists of three basic components a) to a4), b) and c) which can be combined to suit your application.
- On request parts can be assembled by DIRAK.
- A pre-assembled Quarter-Turn can be installed through the cutout.
- Housings with extended bodies see product system 1-110.

Material:

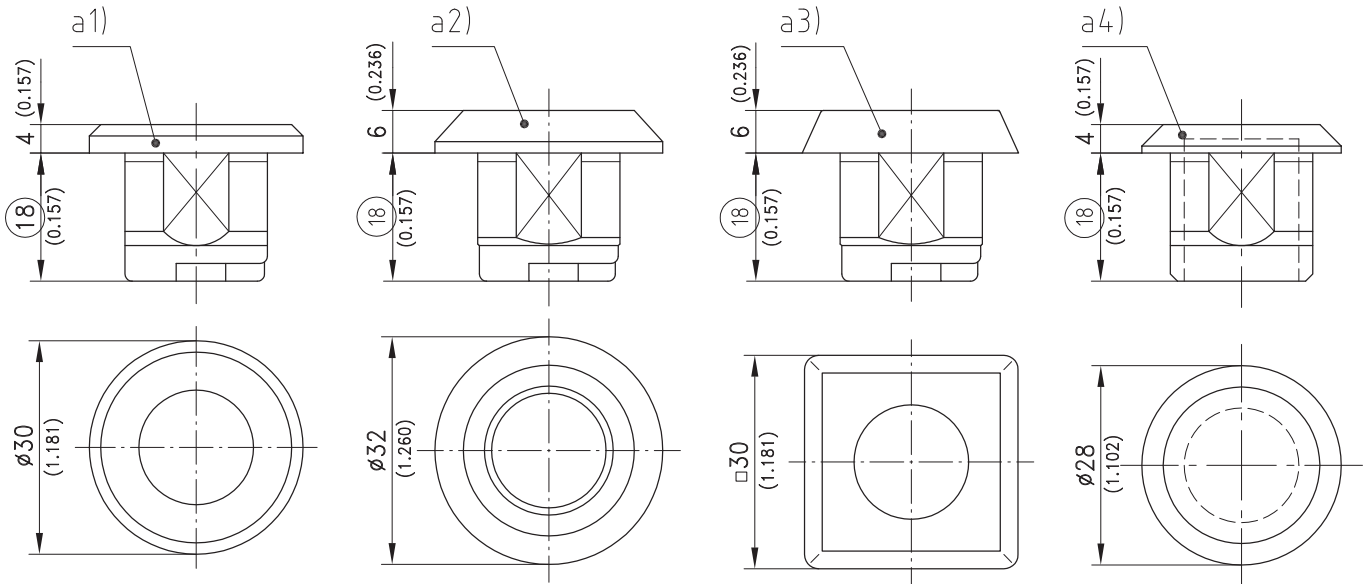
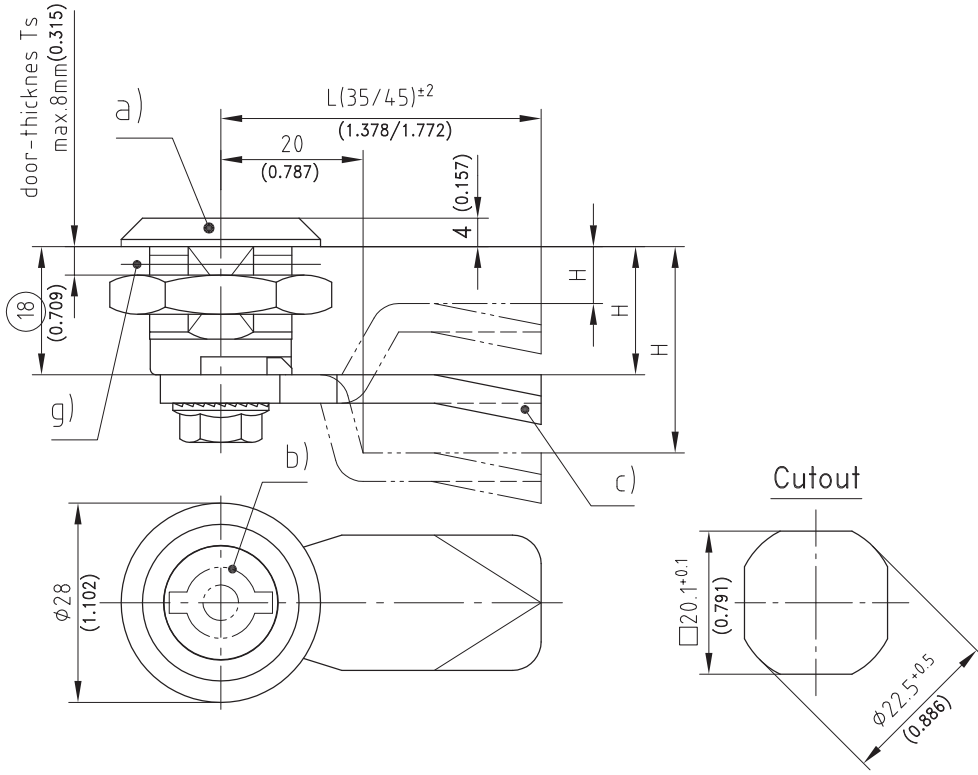
- **Housing:** zinc die, chrome plated or black or PA, black
- **Nuts:** steel, zinc plated
- **Grounding nut:** zinc die, untreated
- **Grounding clip:** stainless steel



| | | | | |
|---|--------------------------------|------------------------|-----------------|------------------------------|
| a) Housing Ø28 | zinc die, chrome plated | zinc die, black | PA black | see page |
| with nut | 200-9001 | 200-9048 | 200-9003 | |
| with grounding nut | 200-9002 | 200-9049 | | |
| with nut and grounding clip | 200-9062 | 200-9063 | 200-9004 | |
| a1) Housing Ø30x4 | | | | |
| with nut | 200-9045 | 200-9054 | | |
| with grounding nut | 200-9046 | 200-9055 | | |
| a2) Housing Ø32x6 | | | | |
| Housing with nut e.g. | 200-9005 | 200-9050 | 200-9007 | |
| with grounding nut | 200-9006 | 200-9051 | | |
| with nut and grounding clip | | | 200-9008 | |
| a3) Housing □30x6 | | | | |
| with nut | 200-9009 | 200-9052 | | |
| with grounding nut | 200-9010 | 200-9053 | | |
| a4) Blind housing Ø28x4 | | | | |
| with nut | | 235-9209 | | |
| b) Inserts | | | | 02.48, 02.49 |
| c) Cams | | | | 02.78 |
| c1) Special cams | | | | 02.80, 02.81, 02.82 |
| d) Keys | | | | 09.10, 09.11 |
| e) Other accessories | | | | 02.104, 02.105, 02.51 |
| Optional: | | | | |
| Water- and dust-tight according to IP65 by: | | | | |
| f) O-ring 12x2mm | 200-1001 | 200-1001 | 200-1001 | |
| g) Flat external seal | 200-0901 | 200-0901 | 200-0901 | |
| Water- and dust-tight according to IP67 by additional: | | | | |
| h) O-ring 10x2mm | 200-1002 | 200-1002 | 200-1002 | |
| Assembling of cam, without O-ring | 200-0001 | 200-0001 | 200-0001 | |
| Assembling of cam, with O-ring | 200-0002 | 200-0002 | 200-0002 | |
| Assembling cam 90° to handle without O-ring | 200-0019 | 200-0019 | 200-0019 | |
| Assembling cam 90° to handle with O-ring | 200-0033 | 200-0033 | 200-0033 | |

1-100 Quarter-Turn Pr20.1 L18

for cutout 20.1, length 18



| | | |
|-------------------------|--|--------------------------------|
| | | see page |
| b) Inserts | | 02.48 |
| c) Cams | | 02.78 |
| c1) Special cams | | 02.80, 02.81, 02.83 |