

1-100 Quarter-Turn Pr20.1 L18

for cutout 20.1, length 18

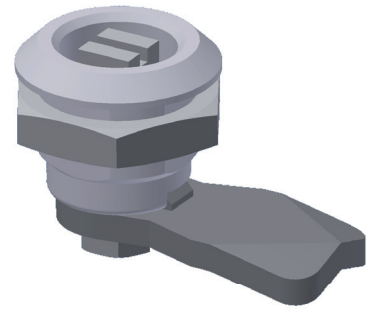


Quarter-Turn, RH or LH application.

- The Quarter-Turn consists of three basic components a) to a4), b) and c) which can be combined to suit your application.
- On request parts can be assembled by DIRAK.
- A pre-assembled Quarter-Turn can be installed through the cutout.
- Housings with extended bodies see product system 1-110.

Material:

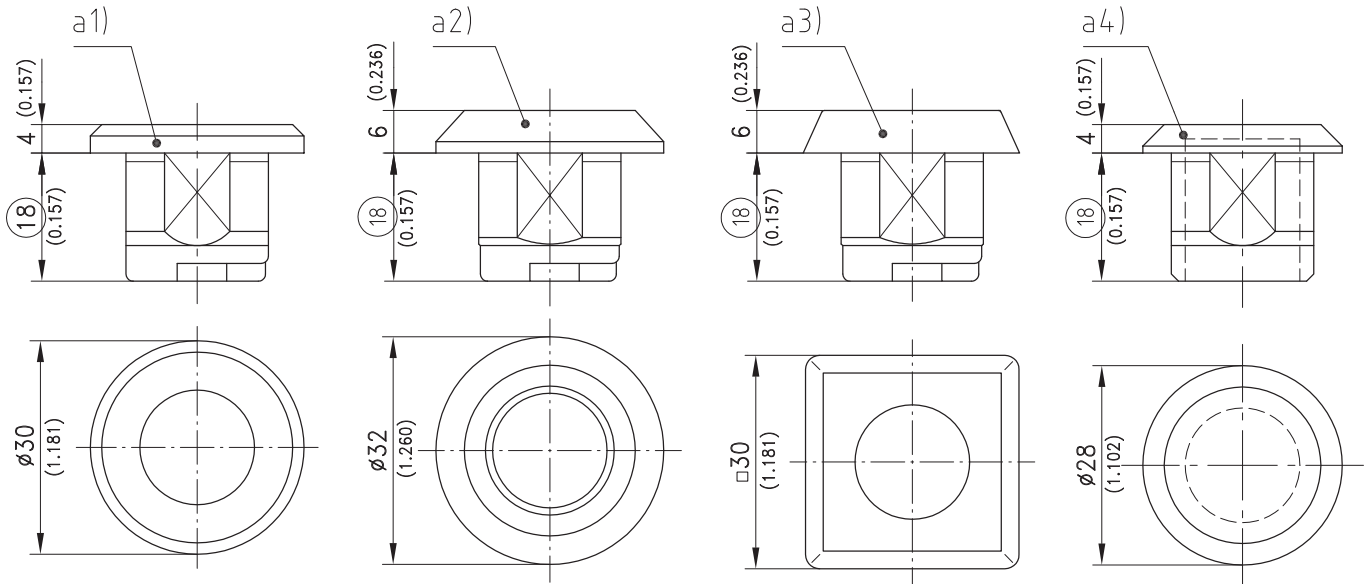
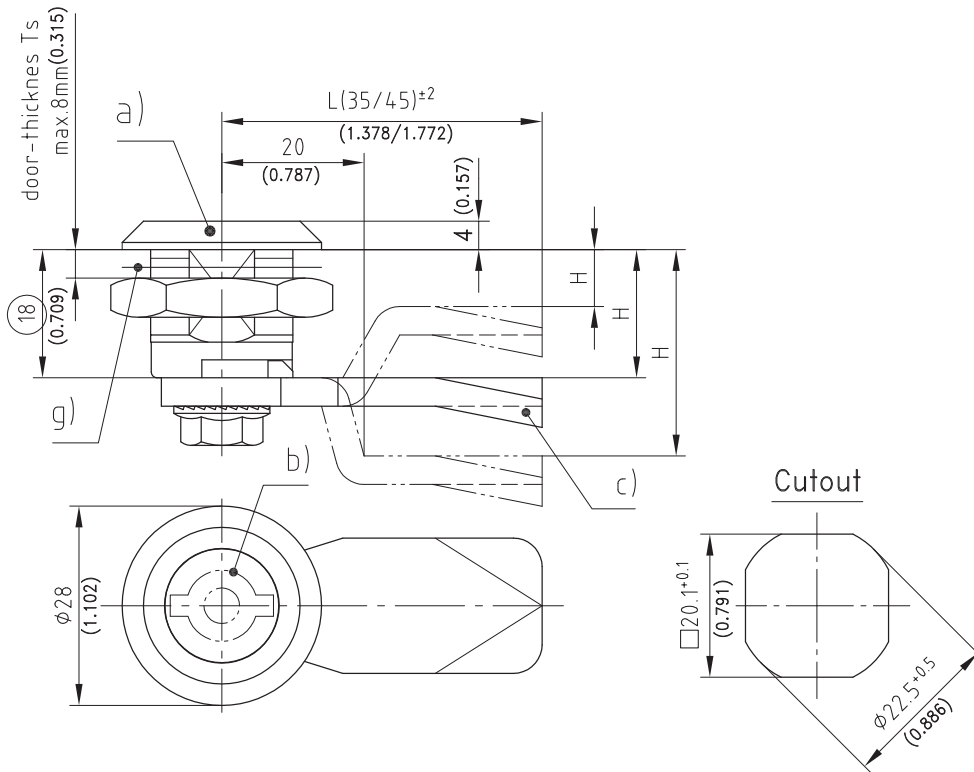
- **Housing:** zinc die, chrome plated or black or PA, black
- **Nuts:** steel, zinc plated
- **Grounding nut:** zinc die, untreated
- **Grounding clip:** stainless steel



a) Housing Ø28	zinc die, chrome plated	zinc die, black	PA black	see page
with nut	200-9001	200-9048	200-9003	
with grounding nut	200-9002	200-9049		
with nut and grounding clip	200-9062	200-9063	200-9004	
a1) Housing Ø30x4				
with nut	200-9045	200-9054		
with grounding nut	200-9046	200-9055		
a2) Housing Ø32x6				
Housing with nut e.g.	200-9005	200-9050	200-9007	
with grounding nut	200-9006	200-9051		
with nut and grounding clip			200-9008	
a3) Housing □30x6				
with nut	200-9009	200-9052		
with grounding nut	200-9010	200-9053		
a4) Blind housing Ø28x4				
with nut		235-9209		
b) Inserts				02.48, 02.49
c) Cams				02.78
c1) Special cams				02.80, 02.81, 02.82
d) Keys				09.10, 09.11
e) Other accessories				02.104, 02.105, 02.51
Optional:				
Water- and dust-tight according to IP65 by:				
f) O-ring 12x2mm	200-1001	200-1001	200-1001	
g) Flat external seal	200-0901	200-0901	200-0901	
Water- and dust-tight according to IP67 by additional:				
h) O-ring 10x2mm	200-1002	200-1002	200-1002	
Assembling of cam, without O-ring	200-0001	200-0001	200-0001	
Assembling of cam, with O-ring	200-0002	200-0002	200-0002	
Assembling cam 90° to handle without O-ring	200-0019	200-0019	200-0019	
Assembling cam 90° to handle with O-ring	200-0033	200-0033	200-0033	

1-100 Quarter-Turn Pr20.1 L18

for cutout 20.1, length 18



b) Inserts	see page
c) Cams	02.48
c1) Special cams	02.78
	02.80, 02.81, 02.83