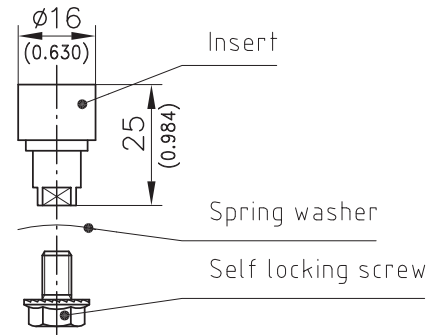
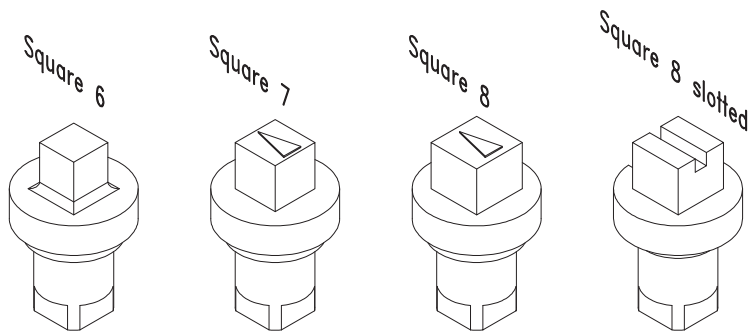
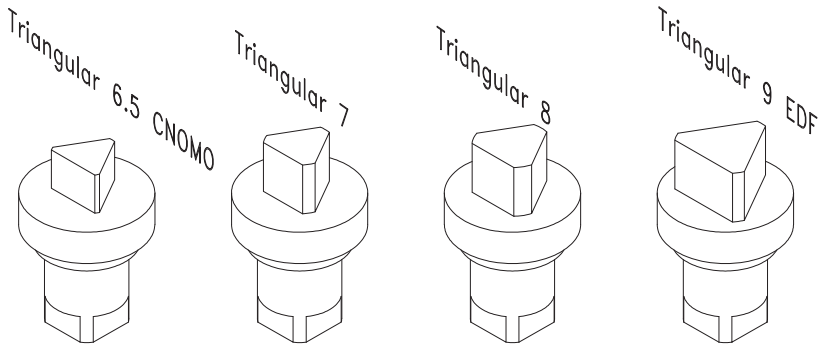


1-101 Inserts Pr20.1

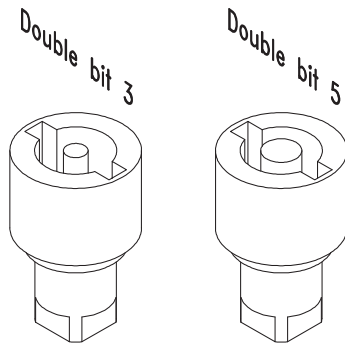
for Quarter-Turn cutout 20.1



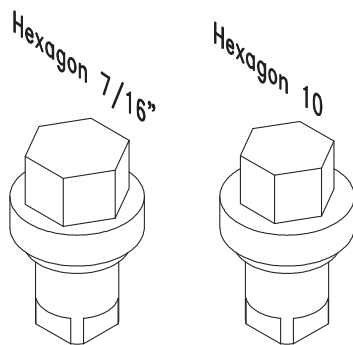
a) Insert	zinc die, chrome plated	zinc die, black	PA black, zinc die, core
Square 6mm	200-9101	200-9127	-
Square 7mm	200-9102	200-9116	-
Square 8mm	200-9103	200-9128	-
Square 8mm slotted	200-9111	-	-



a) Insert	zinc die, chrome plated	zinc die, black	PA black, zinc die, core
Triangular 6.5mm CNOMO Type 1	200-9106	-	-
Triangular 7mm	200-9104	200-9129	-
Triangular 8mm	200-9105	200-9130	-
Triangular 9mm EDF	200-9147	200-9148	-



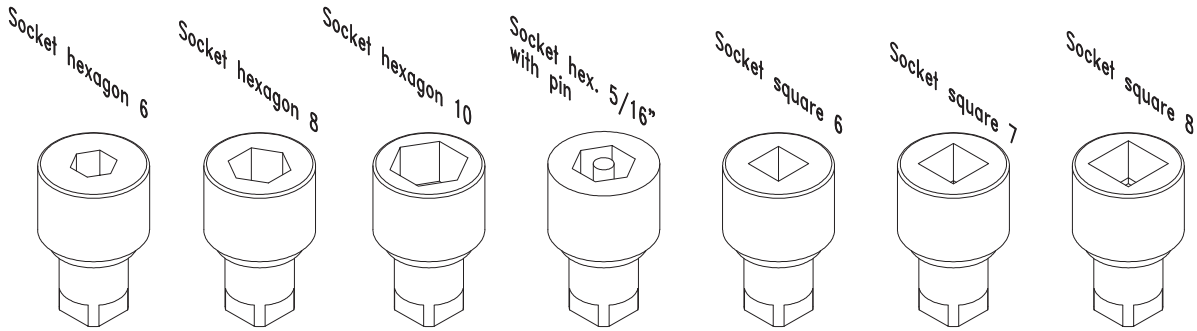
a) Insert	zinc die, chrome plated	zinc die, black	PA black, zinc die, core
Double bit 3mm pin	200-9107	200-9131	200-9117
Double bit 5mm pin	200-9108	200-9132	200-9118



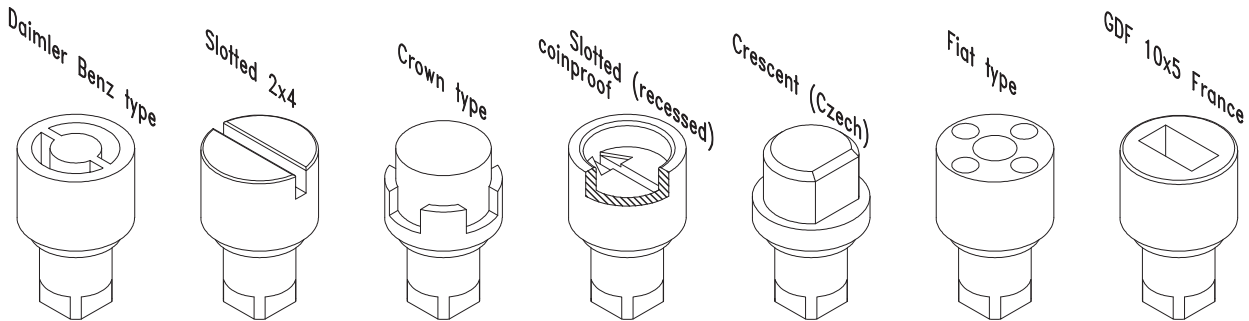
a) Insert	zinc die, chrome plated	zinc die, black	PA black, zinc die, core
Hex 7/16"	200-9171	100-9127	-
Hex. 10mm	200-9185	-	-

1-101 Inserts Pr20.1

for Quarter-Turn cutout 20.1

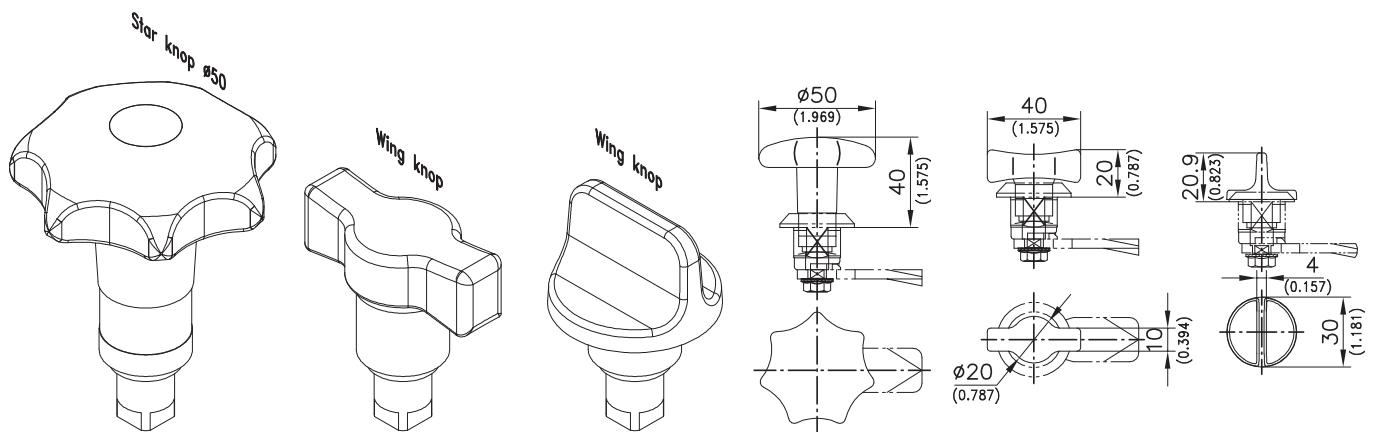


a) Insert	zinc die, chrome plated	zinc die, black	PA black, zinc die, core
Socket hex. 6mm	200-9142	-	-
Socket hex. 8mm	200-9196	200-9197	-
Socket hex. 10mm	200-9112	-	-
Socket head 5/16" 3mm pin	200-9172	200-9178	-
Square socket 6mm	200-9166	-	-
Square socket 7mm	200-9167	-	-
Square socket 8mm	200-9168	-	-



a) Insert	zinc die, chrome plated	zinc die, black	PA black, zinc die, core
Daimler Benz type	200-9109	200-9133	-
Slotted 2x4mm	200-9113	200-9143	200-9126
Crown type	200-9110	-	-
Slotted recessed coinproof	200-9164	200-9169	-
Crescent Czech	200-9154	-	-
FIAT Insert	200-9170	-	-
GDF 10x5mm France	200-9141	-	-

Keys for insert a) see product system 6-100.



b) Insert	zinc die, chrome plated	zinc die, black	PA black, zinc die, core
Star knob Ø50	-	-	200-9114
c) Wing knob	-	-	200-9115
d) Wing knob (only for housing Ø28)	-	100-9115	-

Assembling cam 90° to wing knob see product system 1-100.
Further versions on request