

1-120 Cylinder Quarter-Turn Pr20.1 L18

for cutout 20.1, length 18

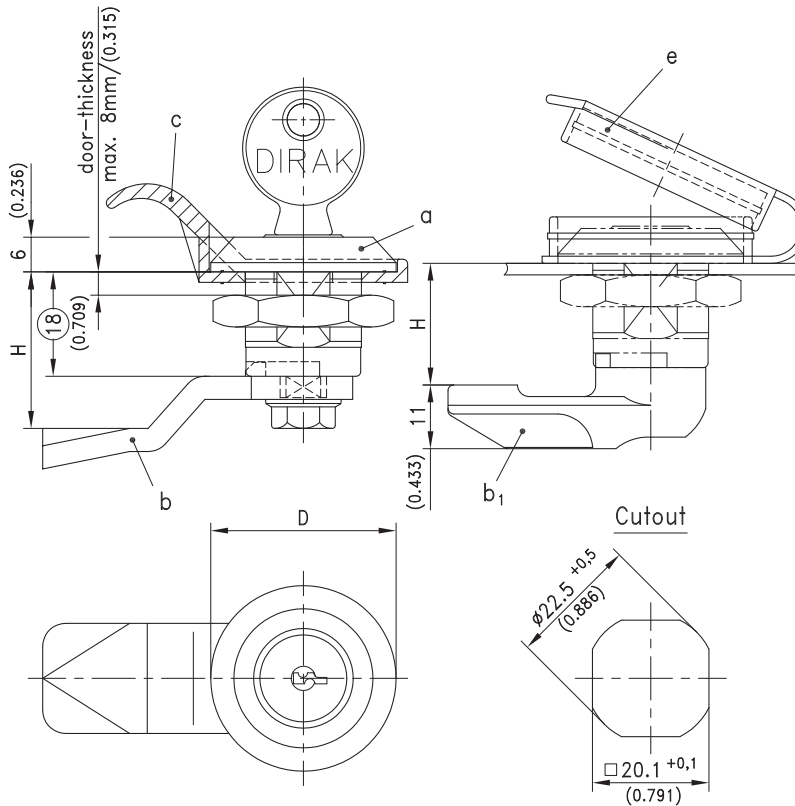
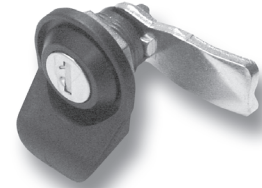


Cylinder Quarter-Turn, RH or LH application.

- The Quarter-Turn consists of two basic components which can be combined to suit your application.
- On request parts can be assembled by DIRAK.
- A pre-assembled Quarter-Turn can be installed in the cutout.
- Water- and dust-tight according to IP65 by dust cap.

Material:

- a)
 - **Housing:** zinc die, chrome plated or black
- b)
 - **Cam:** steel, zinc plated or PA black
- c)
 - **Dustcaps:** PP, black or TPU, black
- d)
 - **Finger pull:** PA, black



Housing with tumbler-barrel and single sided grounding nut	Part No.	Part No.	see page
a) Head $\phi D=28\text{mm}/(1.102)$	chrome plated	black	
keyed alike DIRAK 1333*	200-9201	200-9202	
keyed alike DS200*	500-9201	500-9202	
keyed different/mixed	200-9203	200-9204	
Head $\phi D=32\text{mm}/(1.260)$			
keyed alike DIRAK 1333*	200-9205	200-9206	
keyed alike DS200*	500-9205	500-9206	
keyed different/mixed	200-9207	200-9208	
b) Cam steel (zinc plated)			02.78, 02.82
b1) Cam PA (black)			02.45
c) Finger pull			02.104
d) Assembling of cam, without O-ring	200-0001	200-0001	
Optional: Water- and dust-tight according to IP65 by:			
e) Dust cap			02.104

All locks supplied with two keys.

* with stainless dust-shutter