

# 1-121 Cylinder Quarter-Turn Pr20.1 L18

for cutout 20.1, length 18, Polyamide

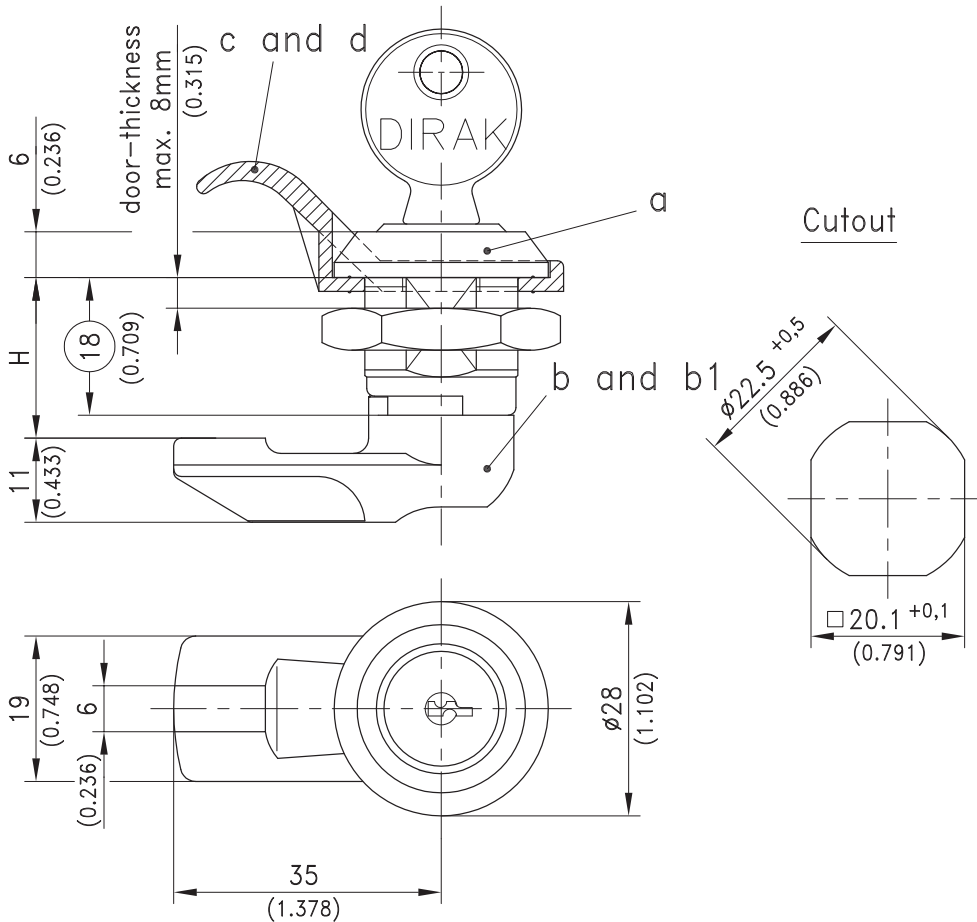


Cylinder Quarter-Turn, double insulated and vibration-proof.

- RH or LH application.
- On request parts can be assembled by DIRAK.
- A pre-assembled Quarter-Turn can be installed in the cutout.
- Water- and dust-tight according to IP65 by dust cap.

## Material:

- a) **Housing:** PA, black
- b) **Cam:** PA, black
- d) **Finger pull:** PA, black



a) Housing with tumbler-barrel (Head Ø 28) with:	keyed alike DIRAK 1333	keyed different/mixed	see page
fixing-nut PA, black	200-9210	200-9213	
fixing-nut steel, zinc plated	200-9211	200-9214	
fixing-nut stainless steel	200-9212	200-9215	
b) Cam PA (black)	H in mm/ inch*		
	18 / 0.709	200-5318	
	20 / 0.787	200-5320	
	22 / 0.866	200-5322	
	25 / 0.984	200-5325	
	28 / 1.102	200-5328	
b1) Cam steel (zinc plated)			02.78, 02.81
c) Finger pull	200-4703.3	200-4703.3	02.104
<b>Optional:</b>			
<b>Water- and dust-tight according to IP65 by:</b>			
d) Dust cap			02.104
e) Assembling of cam, without O-ring	200-0001	200-0001	
All locks supplied with two keys.			

\*Special cams on request.