

# 1-130 Quarter-Turn with Wing Pr20.1 L18

for cutout 20.1, length 18, with cylinder

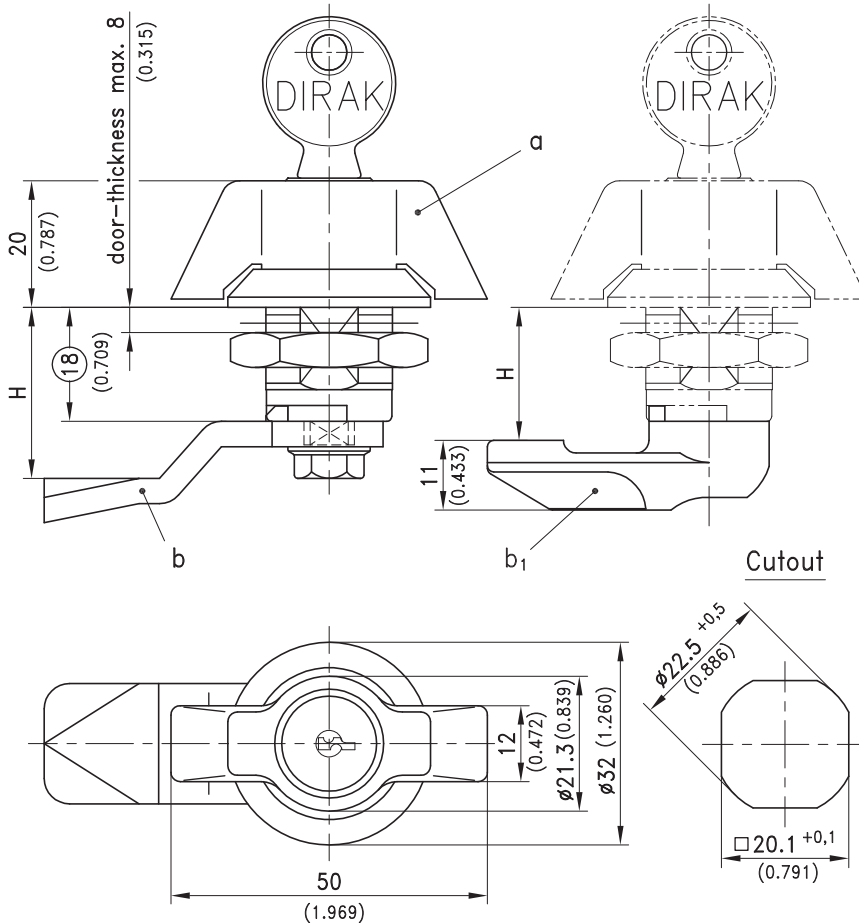


Wing handle Quarter-Turn, RH or LH application.

- The Quarter-Turn consists of two basic components which can be combined to suit your application.
- On request parts can be assembled by DIRAK.
- A pre-assembled Quarter-Turn can be installed in the cutout.

**Material:**

- refer to descriptions listed



	non locking (with blank)	keyed alike DIRAK 1333	keyed alike DS200	keyed- different/mixed	see page
a) Quarter-turn with wing handle consisting of:	200-9301*	200-9302**	500-9302**	200-9303**	
- Handle part PA (black) with zinc die core					
- Zylinder zinc die (chrome plated)					
- or blank PA (black)					
- Housing zinc die (black)					
- Plain/ grounding nut: zinc die					
a1) Quarter-turn as a), but handle, housing, barrel or plug made of PA (black)					
nut steel (zinc plated)	200-9368*	200-9369**	-	200-9370**	
nut PA (black)	200-9371*	200-9372**	-	200-9373**	
b) Cam steel (zinc plated)					02.78, 02.82
b1) Cam PA (black)					02.45
Optional:					
c) Assembling of cam, without O-ring	200-0001	200-0001	200-0001	200-0001	
Assembling cam 90° to handle without O-ring	200-0019	200-0019	200-0019	200-0019	
* Water- and dust-tight according IP65 DIN EN 60529					
** with stainless dust-shutter					