

1-155.02 Quarter-Turn with T- and Wing Handle Pr20.1 L30-60

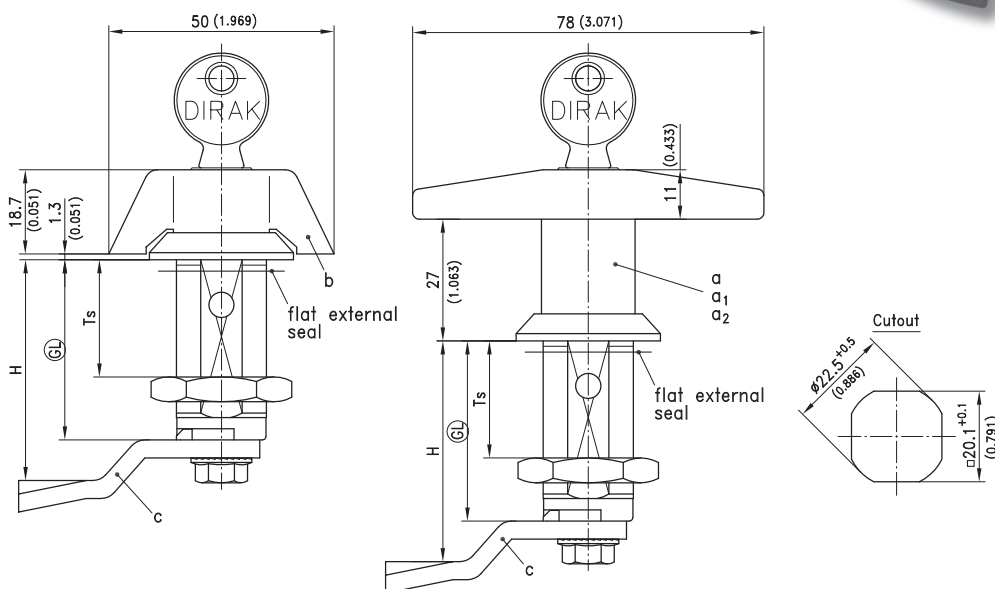
lengths 30/40/50/60, with or without cylinder



- T- and Wing handle with extended housing and plain/grounding nut.
- Maximum door-thickness 50mm.
 - All versions of Wing-Handles are supplied complete and are water- and dust-tight according to IP65 DIN EN 60529.
 - Housings with L = 36mm on request.
 - Detailed dimensions of the handles see product system 1-130, 1-140, 1-150.

Material:

- **Handle:** see table
 - **Housing:** zinc die
 - **Flat external seal:** NBR/Perbunan, black
- **Wing handle:** PA, black with zinc die core
 - **Housing:** zinc die, black
- **Cam:** steel, zinc plated



Length of 4-hole housing GL	30	40	50	60	see page
Door-thickness Ts	20	30	40	50	
a) T-Handle PA, black with zinc die core					
non locking	200-9310	200-9311	200-9312	200-9346	
keyed alike DIRAK 1333*	200-9313	200-9314	200-9315	200-9347	
keyed alike DS200*	500-9313	500-9314	500-9315	500-9347	
keyed different/mixed	200-9316	200-9317	200-9318	200-9348	
a1) T-Handle zinc die, chrome plated					
non locking	200-9334	200-9335	200-9336	200-9343	
keyed alike DIRAK 1333*	200-9337	200-9338	200-9339	200-9344	
keyed alike DS200*	500-9337	500-9338	500-9339	500-9344	
keyed different/mixed	200-9340	200-9341	200-9342	200-9345	
PAGODA keyed alike	501-9337	501-9338	-	-	
a2) T-Handle zinc die, black					
non locking	200-9352	200-9353	200-9354	200-9355	
keyed alike DIRAK 1333*	200-9356	200-9357	200-9358	200-9359	
keyed alike DS200*	500-9356	-	-	-	
keyed different/mixed	200-9360	200-9361	200-9362	200-9363	
PAGODA keyed alike	501-9356	-	-	-	
PAGODA keyed different/mixed	501-9360	-	-	-	
b) Wing handle complete					
non locking	200-9322	200-9323	200-9324	200-9349	
keyed alike DIRAK 1333*	200-9325	200-9326	200-9327	200-9350	
keyed alike DS200*	500-9325	500-9326	500-9327	500-9350	
keyed different/mixed	200-9328	200-9329	200-9330	200-9351	
c) Cams					02.78
Special cams					02.82

All lockable handles supplied with two keys.

Part No. for PAGODA version with master key system on request.

* with stainless dust-shutter