

1-132 Quarter-Turn with Wing Pr20.1 L18/40

for cutout 20.1, lengths 18 and 40, for padlock

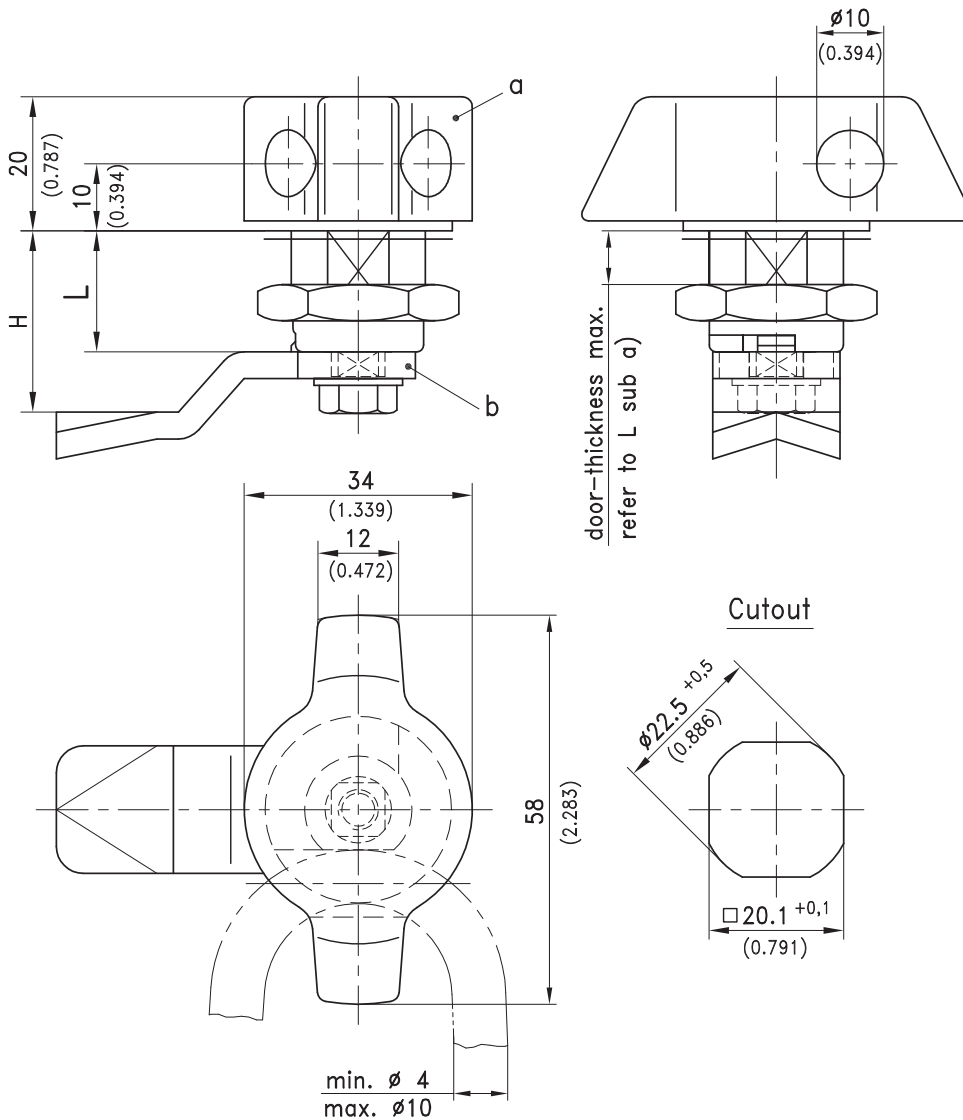
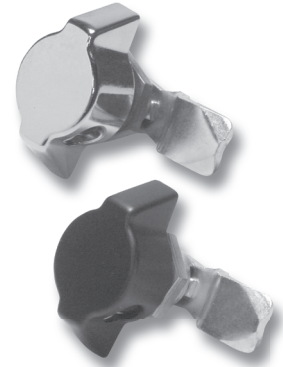


Wing handle Quarter-Turn for padlock, screw-in type, RH or LH application.

- Water- and dust-tight according to IP65 DIN EN 60529.
- The Quarter-Turn consists of two basic components which can be combined to suit your application.
- A pre-assembled Quarter-Turn can be installed in the cutout.
- **Padlock feature only if cam is at 90° to the handle.**

Material:

- a)
 - **Wing handle:** zinc die, chrome plated or black
 - **Housing:** zinc die, zinc plated
- b)
 - **Cam:** steel, zinc plated



	chrome plated	E-COATED black	Textured Powder black	see page
a) Quarter-turn with T-handle with plain grounding nut				
L = 18 (door thickness max. 8mm)	200-9364	200-9365	200-9365.TX	
L = 40 (door thickness max. 30mm)	100-9310	100-9311	100-9311.TX	
b) One- two- or three point cam				02.78, 02.82
Optional:				
c) Assembling cam 90° to handle without O-ring	200-0019	200-0019	200-0019	
Assembling cam for left door	200-0020	200-0020	200-0020	
Stainless steel version				10.22