

# 7-090 Quarter-Turn with T-Handle Pr20.1 L18

for cutout 20.1, length 18, stainless steel AISI 316

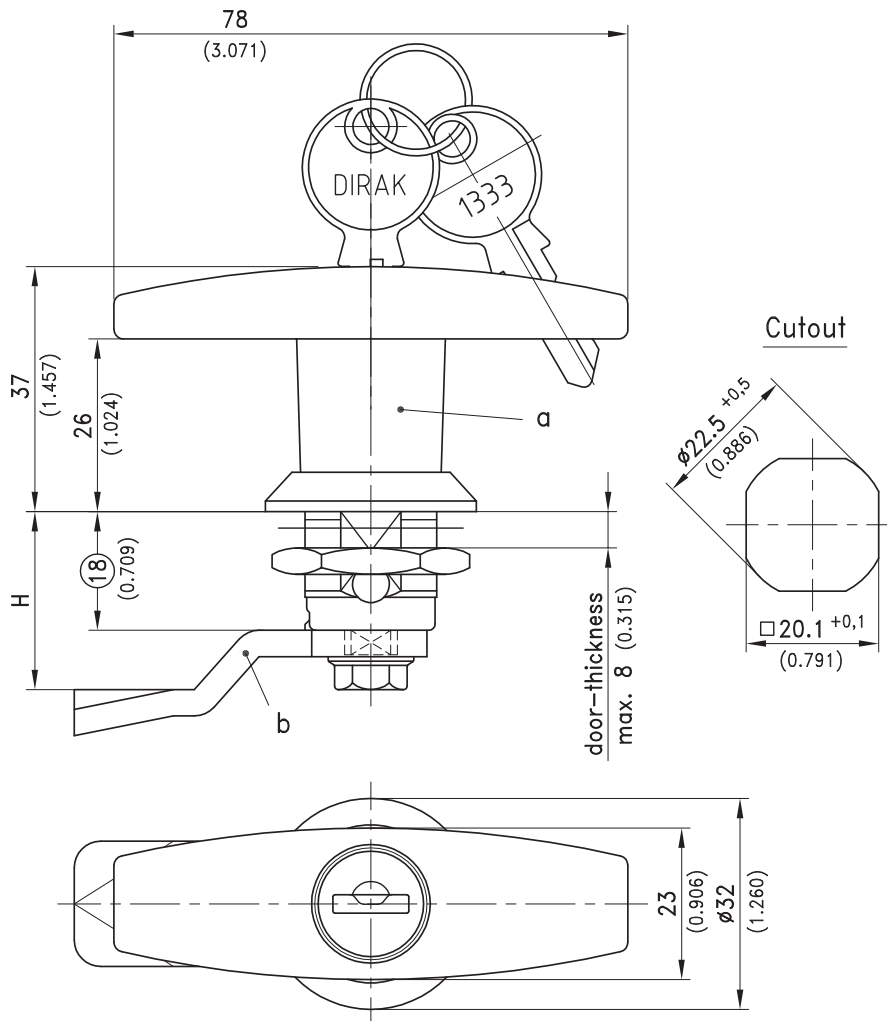
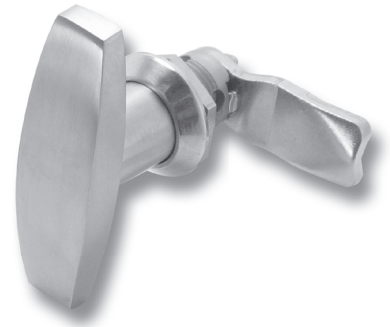


## Quarter-Turn with T-handle.

- RH or LH application.
- Water- and dust-tight according to IP65 DIN EN 60529.
- The Quarter-Turn consists of two basic components which can be combined to suit your application.
- On request parts can be assembled by DIRAK.
- A pre-assembled Quarter-Turn can be installed in the cutout.

## Material:

- **T-Handle:** completely AISI 316, surface polished
- **Nut and cam:** stainless steel



a) Quarter-turn with T-handle with nut	Part No.	see page
non locking	200-9374	
keyed alike 1333	200-9398	
keyed different/mixed	200-9399	
b) Cams		
		10.16, 10.20, 02.82
Please order separately:		
c) Assembling of cam, without O-ring	200-0001	
Assembling cam 90° to handle without O-ring	200-0019	
All lockable handles supplied with two keys.		