

7-085 Quarter-Turn with Wing Pr20.1L18

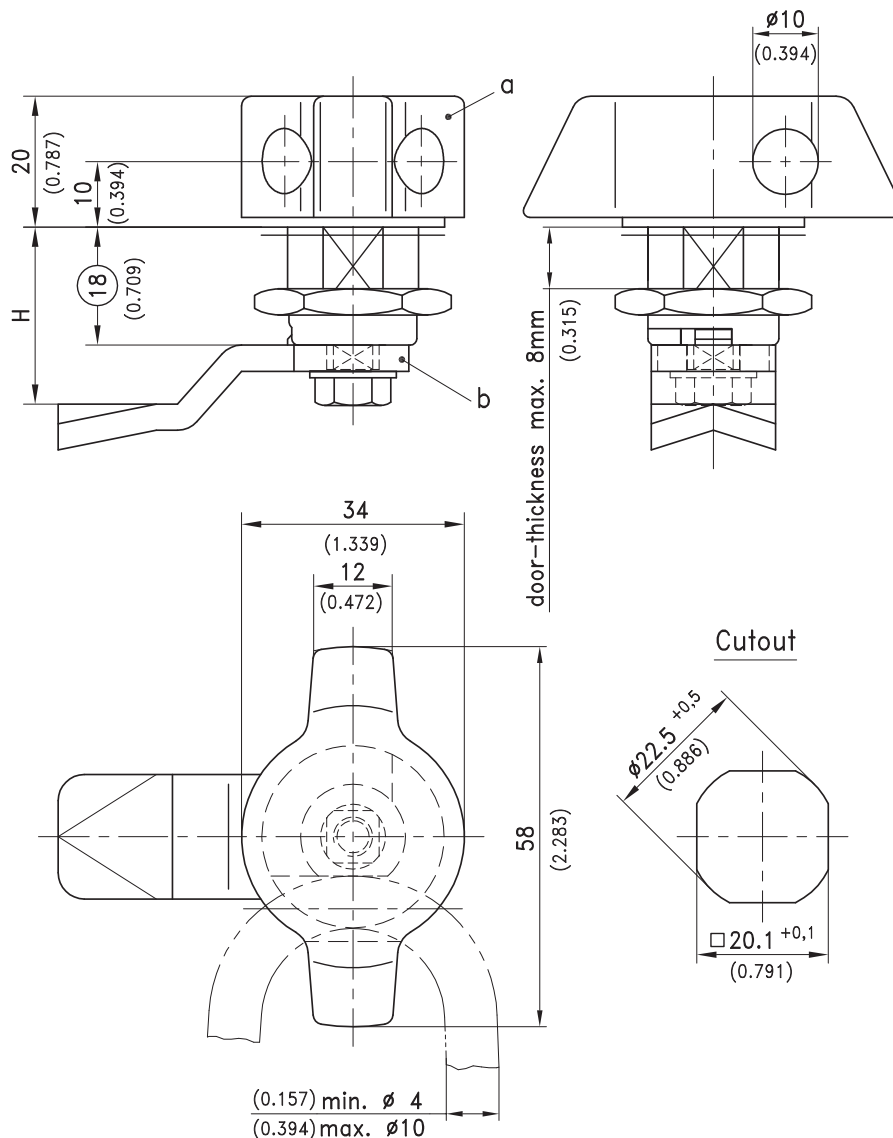
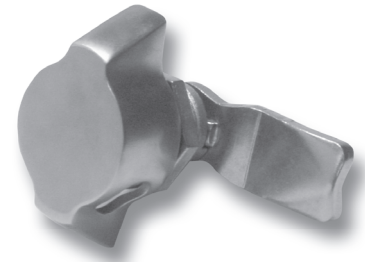
for cutout 20.1, length 18, for padlock, stainless steel AISI 316



- Quarter-turn with wing for padlock.
- RH or LH application.
 - Water- and dust-tight according to IP65 DIN EN 60529.
 - The Quarter-Turn consists of two basic components which can be combined to suit your application.
 - A pre-assembled Quarter-Turn can be installed in the cutout.
 - **Padlock feature only if cam is at 90° to the winghandle.**

Material:

- **Wing:** stainless steel AISI 316, surface polished
- **Housing, nut and cam:** stainless steel



	Part No.	see page
a) Quarter-turn with wing with nut	200-9375	
b) Cams		10.16, 10.20, 02.78, 02.82
Optional:		
c) Assembling cam 90° to handle without O-ring	200-0019	
Assembling cam for left door	200-0020	