

1-135 Quarter-Turn with Drip Handle Pr20.1 L18

for cutout 20.1, length 18, with cylinder

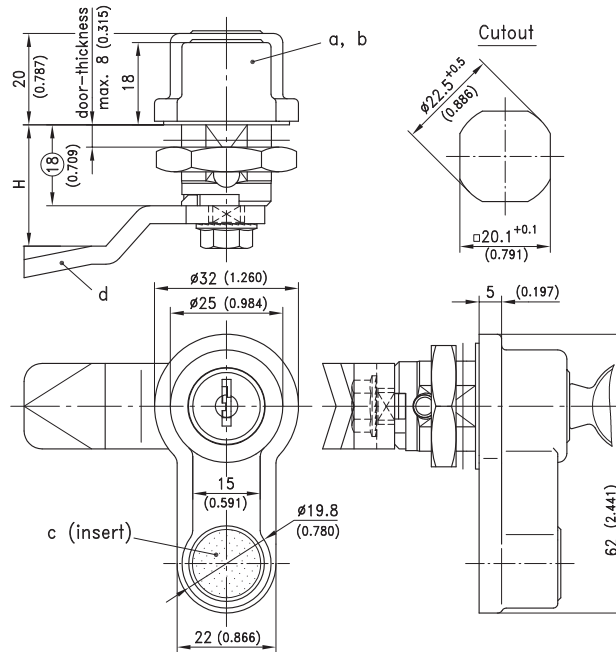


Drip handle Quarter-Turn, RH or LH application.

- For individual design, round, colored clip-in inserts are available which can be clipped-in into the lower part of the handle.
- The Quarter-Turn consists of two basic components which can be combined to suit your application.
- On request parts can be assembled by DIRAK.
- A pre-assembled Quarter-Turn can be installed in the cutout.

Material:

- a) and b)
- **Drip handle:** PA, black with zinc die core
- **Housing:** zinc die, chrome plated
- **Cylinder:** PA, black or zinc die, chrome plated
- **Blind Plug:** PA, black only a)
- **Insert:** PA, black c)
- **Colored inserts:** PA, different colours d)
- **Cam:** steel, zinc plated



a) Quarter-turn with drip handle with black clip-in insert and plain grounding nut	non locking	keyed alike DIRAK 1333*	keyed alike DS200*	keyed-different/mixed	see page
Cylinder PA	-	200-9392**	-	200-9393**	
Cylinder zinc die	-	200-9395*	500-9395*	200-9396	
Blind plug	200-9394**				
b) Quarter-turn with Drip Handle without clip-in insert, with plain grounding nut					
Cylinder PA	-	200-9381**	-	200-9382**	
Cylinder zinc die	-	200-9390*	500-9390*	200-9391	
Blind plug	200-9389**				
c) Colored inserts, on request					
color	Part No.		color	Part No.	
red	207-4902-00.00001		orange	207-4902-00.00005	
blue	207-4902-00.00002		mint	207-4902-00.00007	
green	207-4902-00.00003		purple	207-4902-00.00008	
yellow	207-4902-00.00004				
d) Cam/3-point cam					02.78, 02.82
Optional:					
e) Assembling of inserts	207-0015	207-0015	207-0015	207-0015	
Assembling cam 90° to handle without O-ring	200-0019	200-0019	200-0019	200-0019	
Assembling cam for left door	200-0020	200-0020	200-0020	200-0020	
* with stainless dust-shutter					
** Water- and dust-tight according IP65					