



FDB PANEL FITTINGS

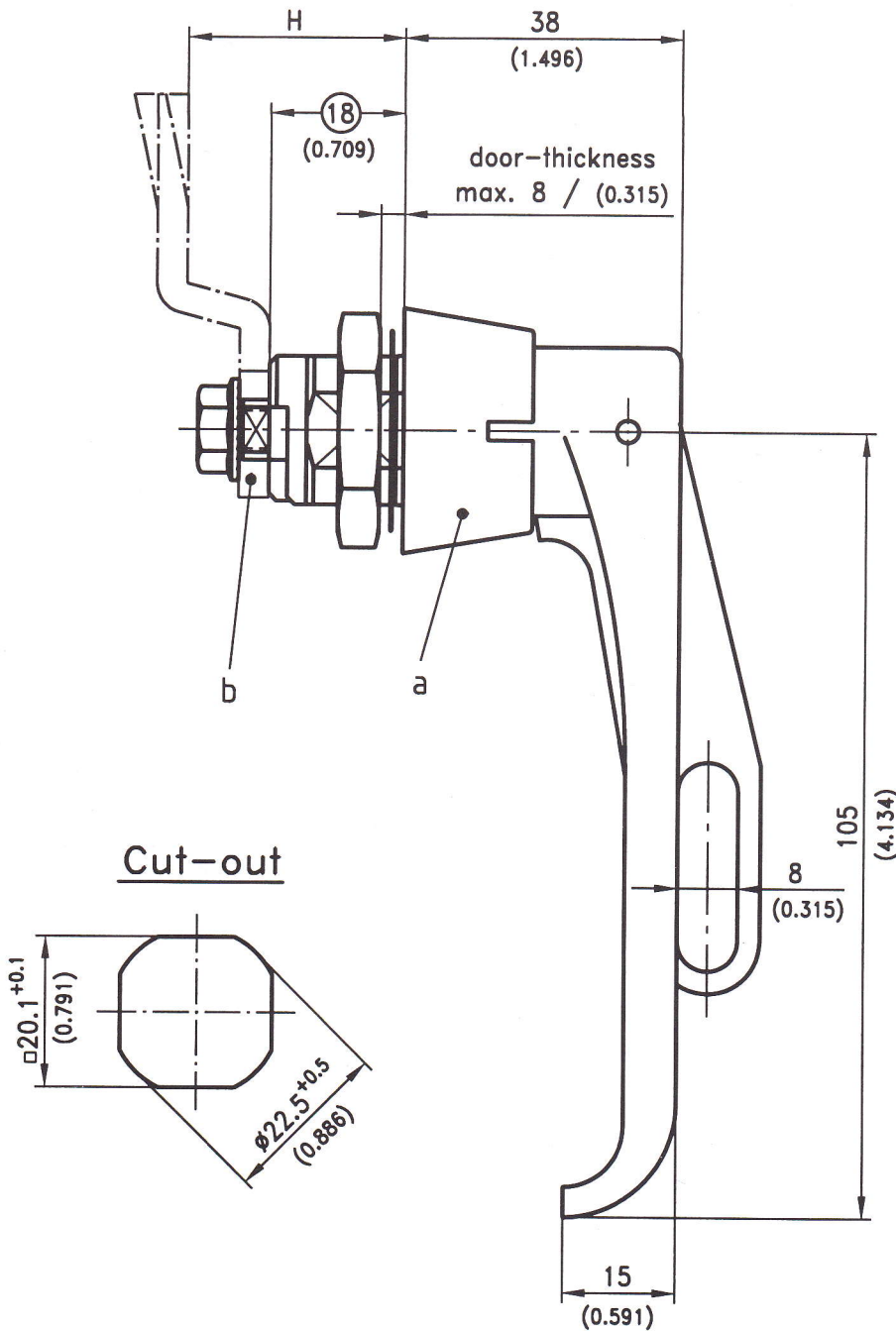
L-Handle

padlockable

FDB PANEL FITTINGS

Tel: 020 8568 1616

Fax: 020 8568 5656



L-handle for padlock with 90° turn. RH or LH application.

This L-handle consists of two basic parts which can be combined to suit your application.

On request cam can be assembled by DIRAK.

A pre-assembled L-handle can be fitted through the cut-out

Material:

- a)
 - L-handle: complete zinc die, chrome plated or black coated
- b)
 - Cam: steel, galv

	chrome plated	black coated
a) L-handle with plain/earth nut	200-9413	200-9426
b) One- two- or three point cams on page 1-100 Special cams on page 1-262		

Optional:

c) Assembling of cam (refer to page 1-001)	200-0001
--	----------