

# 7-103 Quarter-Turn with L-Handle Pr20.1 L18

for cutout 20.1, length 18, stainless steel AISI 316

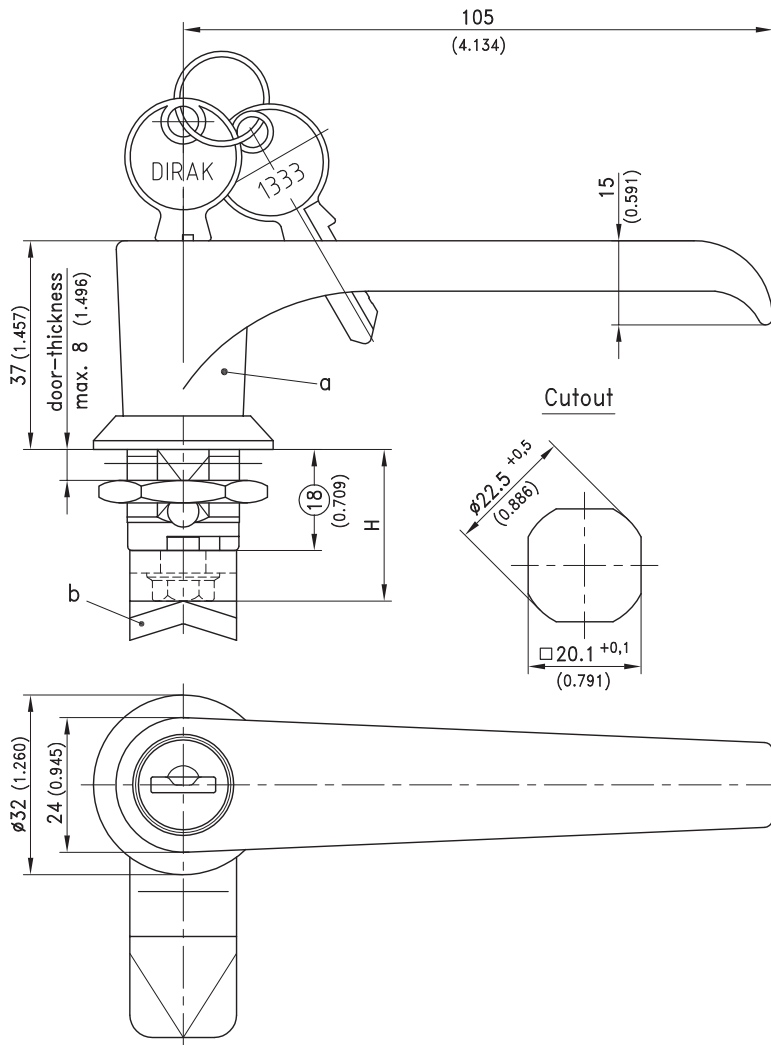


Quarter-turn with L-handle.

- RH or LH application.
- Water- and dust-tight according to IP65 DIN EN 60529.
- The Quarter-Turn consists of two basic components which can be combined to suit your application.
- On request parts can be assembled by DIRAK.
- A pre-assembled Quarter-Turn can be installed in the cutout.

### Material:

- **L-handle:** completely stainless steel AISI 316, surface polished
- **Nut and cam:** stainless steel



a) Quarter-turn with L-handle with nut	Part No.	see page
non locking	200-9418*	
keyed alike 1333	200-9485*	
keyed different/mixed	200-9486*	
<b>b) Cams</b>		
		10.16, 10.20, 02.78, 02.82
Please order separately:		
<b>c) Assembling of cam, without O-ring</b>		
Assembling cam 90° to handle without O-ring	200-0001	
Assembling cam for left door	200-0019	
Assembling cam for right door	200-0020	
All lockable handles supplied with two keys.		
* Price and delivery time on request		