

7-104 Quarter-Turn with L-Handle Pr20.1 L18

for cutout 20.1, length 18, for padlock, stainless steel AISI 316

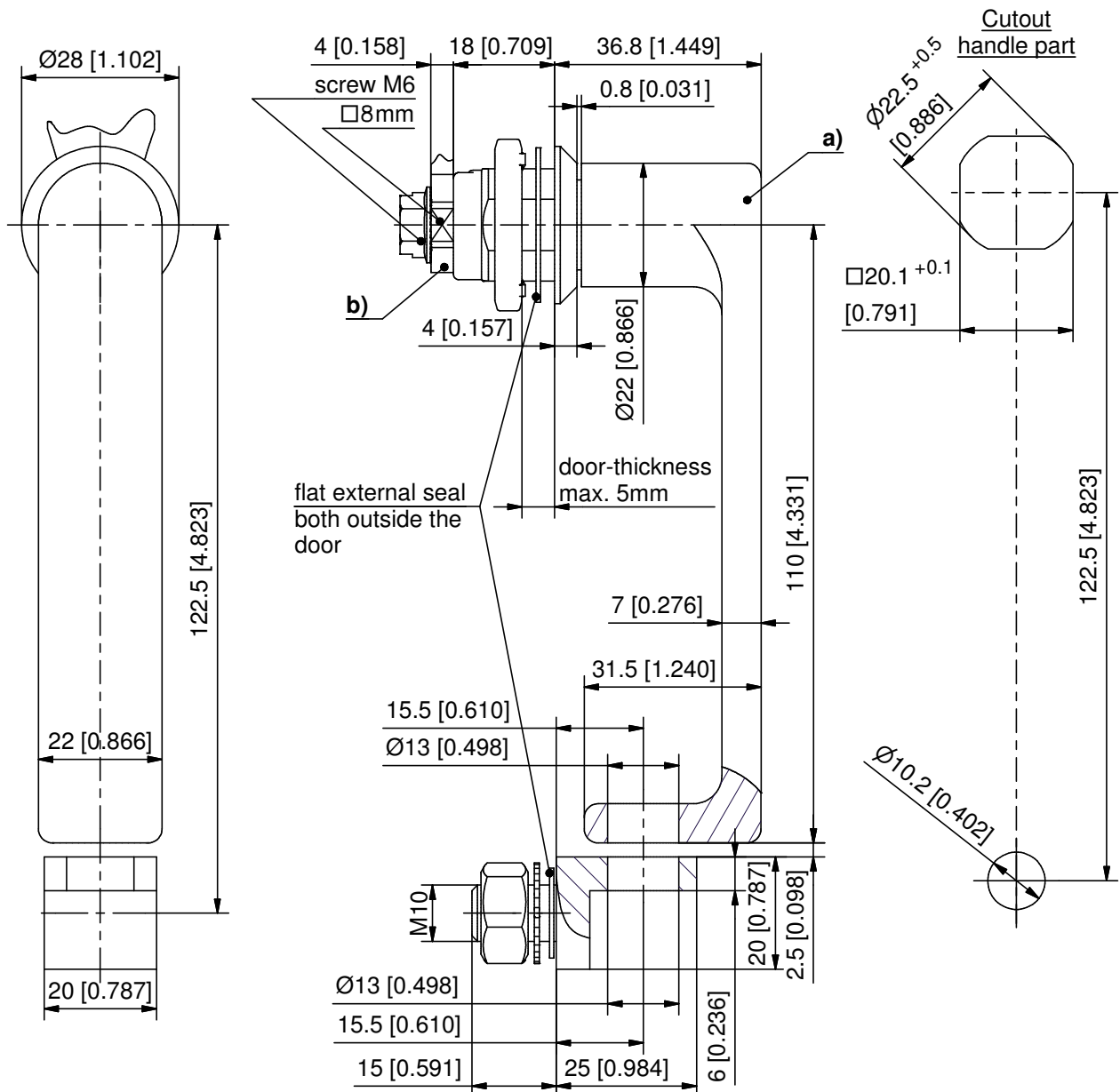


Quarter-turn with L-handle for padlock.

- RH or LH application.
- The Quarter-turn with L-handle consists of two basic parts which can be combined to suit your application.
- Water- and dust-tight according to IP65 DIN EN 60529 with 2 O-rings.

Material:

- **Handle and hook:** stainless steel AISI 304
- **Housing:** stainless steel AISI 316
- **Cam:** stainless steel or steel, zinc plated



	Part No.	see page
a) Quarter-turn with L-handle complete	200-9425	
b) Cams		10.16, 10.20, 02.78, 02.82
Standard version		02.69