

1-155.01 Quarter-Turn with L-Handle Pr20.1 L30-60

for cutout 20.1, lengths 30/40/50/60, with or without cylinder

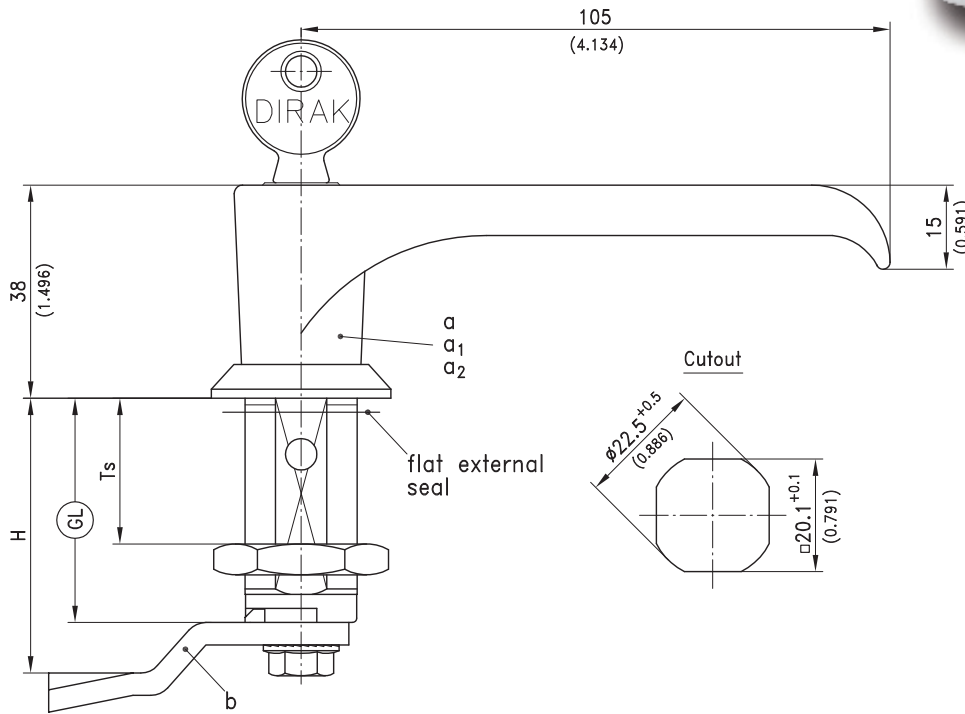


Quarter-turn with L-handle with extended housing and plain/grounding nut.

- Maximum door-thickness 50mm.
- All versions of L-handles are supplied complete and are water- and dust-tight according to IP65 DIN EN 60529.
- Housings with L = 36mm on request.
- Detailed dimensions of the handles see product system 1-150.

Material:

- a)
- **Handle:** see table
 - **Housing:** zinc die
 - **Flat external seal:** NBR/Perbunan, black
- b)
- **Cam:** steel, zinc plated



Length of 4-hole housing GL	30	40	50	60	see page
Door-thickness Ts	20	30	40	50	
a) Quarter-turn with L-handle PA, black with zinc die core					
non locking	200-9404	200-9405	200-9406	200-9414	
keyed alike DIRAK 1333*	200-9407	200-9408	200-9409	200-9415	
keyed alike DS200*	500-9407	500-9408	500-9409	500-9415	
keyed different/mixed	200-9410	200-9411	200-9412	200-9416	
a1) Quarter-turn with L-handle zinc die, chrome plated					
non locking	200-9439	200-9440	200-9441	200-9442	
keyed alike DIRAK 1333*	200-9443	200-9444	200-9445	200-9446	
keyed alike DS200*	-	500-9444	-	-	
keyed different/mixed	200-9447	200-9448	200-9449	200-9450	
PAGODA keyed alike	501-9443	501-9444	501-9445	501-9446	
PAGODA keyed different/mixed	501-9447	501-9448	501-9449	501-9450	
a2) Quarter-turn with L-handle zinc die, black					
non locking	200-9451	200-9452	200-9453	200-9454	
keyed alike DIRAK 1333*	200-9455	200-9456	200-9457	200-9458	
keyed alike DS200*	-	500-9456	500-9457	500-9458	
keyed different/mixed	200-9459	200-9460	200-9461	200-9462	
PAGODA keyed alike	501-9455	501-9456	501-9457	501-9458	
PAGODA keyed different/mixed	501-9459	501-9460	501-9461	501-9462	
b) Cam					
Special cams					02.78
All lockable handles supplied with two keys.					02.82
Part No. for PAGODA version with master key system on request.					
* with stainless dust-shutter					