

# 1-154 Quarter-Turn with L-Handle Pr20.1 L18 and 40

for cutout 20.1, only for padlock, lengths 18 and 40



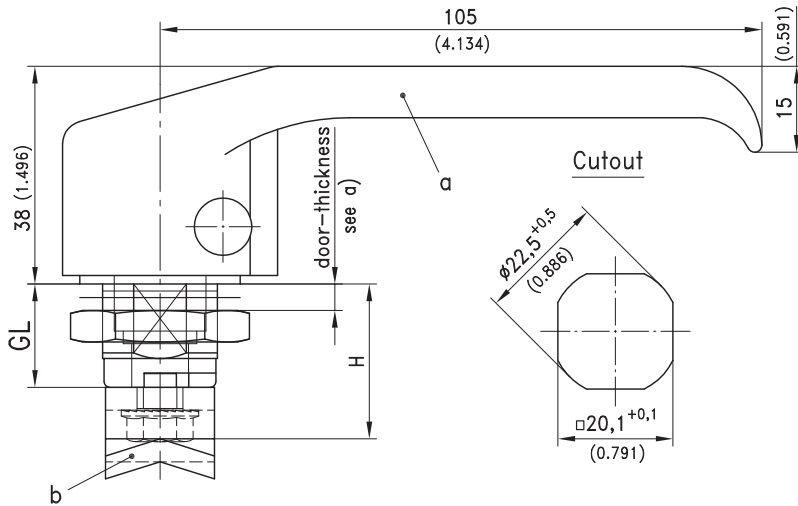
Quarter-turn with L-handle for padlock with 90° rotation, screw-in type, RH or LH application.

- Water- and dust-tight according to IP65 DIN EN 60529.
- The Quarter-Turn consists of two basic components which can be combined to suit your application.
- On request parts can be assembled by DIRAK.
- A pre-assembled Quarter-turn can be installed in the cutout.

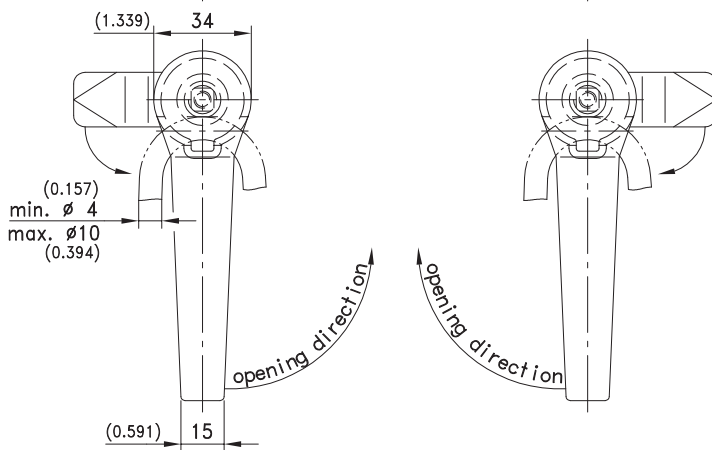
• **Padlock feature only if cam is at 90° to the handle.**

**Material:**

- a)
  - **L-handle** zinc die, chrome plated or black
  - **Housing:** zinc die, zinc plated
- b)
  - **Cam:** steel, zinc plated



Fitting position of the housing, seen from outside of the door, at



	chrome plated	E-coated black	Textured Powder black	see page
<b>a) Quarter-turn with L-handle with plain grounding nut</b>				
L=18 (door-thickness max. 8mm)	200-9463	200-9464	200-9464.TX	
L=40 (door-thickness max. 30mm)	200-9491	200-9492	200-9492.TX	
<b>b) Cam or 3-point cam</b>				<b>02.78</b>
Special cams				<b>02.82</b>
<b>Optional:</b>				
<b>c) Assembling cam 90° to handle without O-ring</b>	200-0019	200-0019	200-0019	
Assembling cam for left door	200-0020	200-0020	200-0020	
<b>Stainless steel version</b>				<b>10.27</b>