

7-100 Quarter-Turn with L-Handle Pr20.1 L18

for cutout 20.1, length 18, for padlock, stainless steel AISI 316

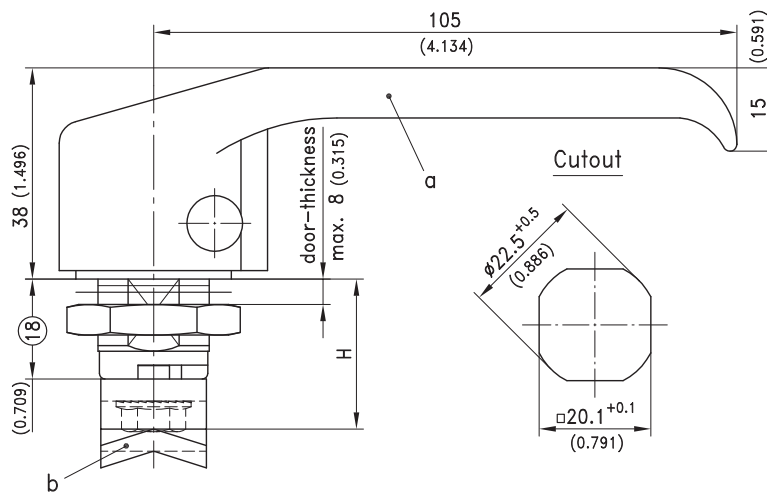


Quarter-turn with L-handle for padlock.

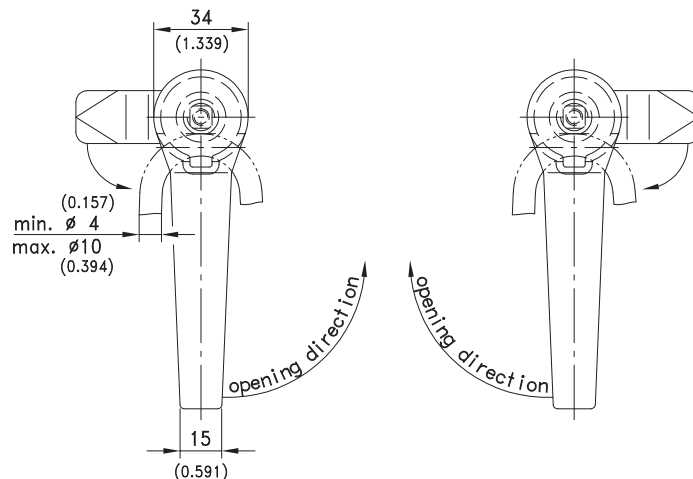
- RH or LH application.
- Water- and dust-tight according to IP65 DIN EN 60529.
- The Quarter-Turn consists of two basic components which can be combined to suit your application.
- On request parts can be assembled by DIRAK.
- A pre-assembled Quarter-Turn can be installed in the cutout.
- **Padlock feature only if cam is at 90° to the L-handle.**

Material:

- **L-handle:** completely stainless steel AISI 316, surface polished
- **Nut and cam:** stainless steel



Installed position of the housing, seen from outside of the door, at



	Part No.	see page
a) Quarter-turn with L-handle with plain/grounding nut	200-9481	
b) Cams		10.16, 10.20, 02.78, 02.82
Optional:		
c) Assembling cam 90° to handle without O-ring	200-0019	
Assembling cam for left door	200-0020	