

7-106.01 Cam Adapter 45°

stainless steel AISI 316L



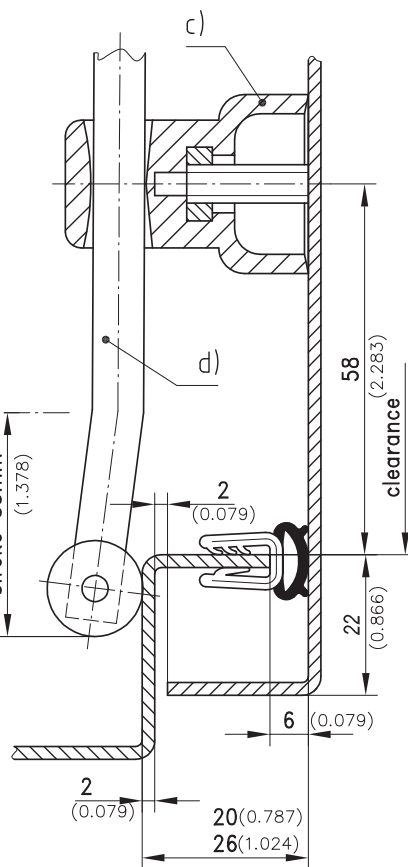
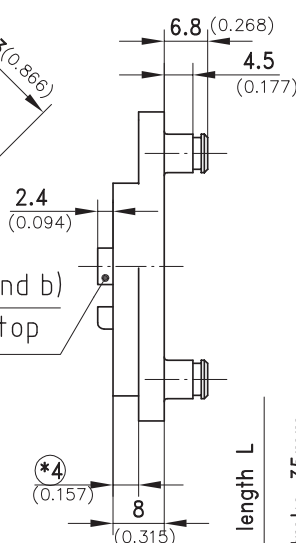
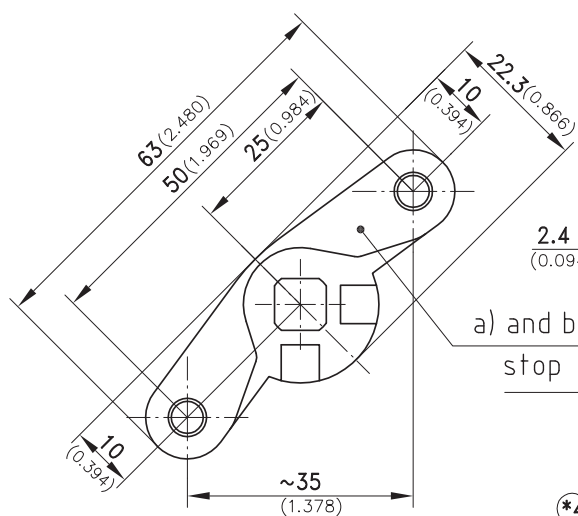
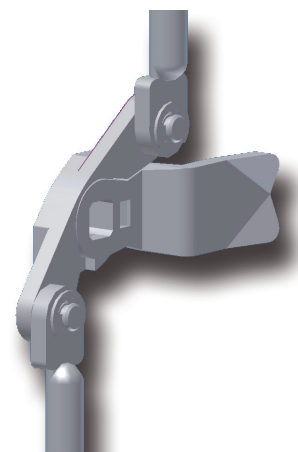
3-point cam adapter with stop made of stainless steel.

- For applications with stainless steel swinghandle see product system 7-066.
- All cams of product system 7-080 can be applied.
- Stroke 35mm.
- Round rods with eye see product system 7-106.

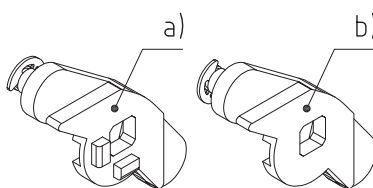
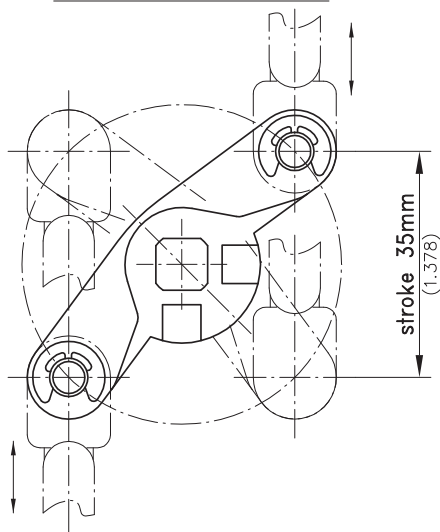
• **Note:** H-dimension of cam increases by 4mm. E.g. cam 200-0518 results in an H-dimension of 22mm. See product system 2-151.

Material:

• **3-point cam adapter:** stainless steel AISI 316L



Functional example



	Part No.	see page
a) 3-point cam adapter including 2 c-clips with stop	200-9598.00	
b) 3-point cam adapter including 2 c-clips without stop	207-9594.00	
c) Rod guide for bending A20	200-3601.03	02.99
Rod guide for bending A26	200-3602.03	02.99
d) Round rod with eye		10.48