

1-170 Round Rods

with standard lengths, with eye or adapter

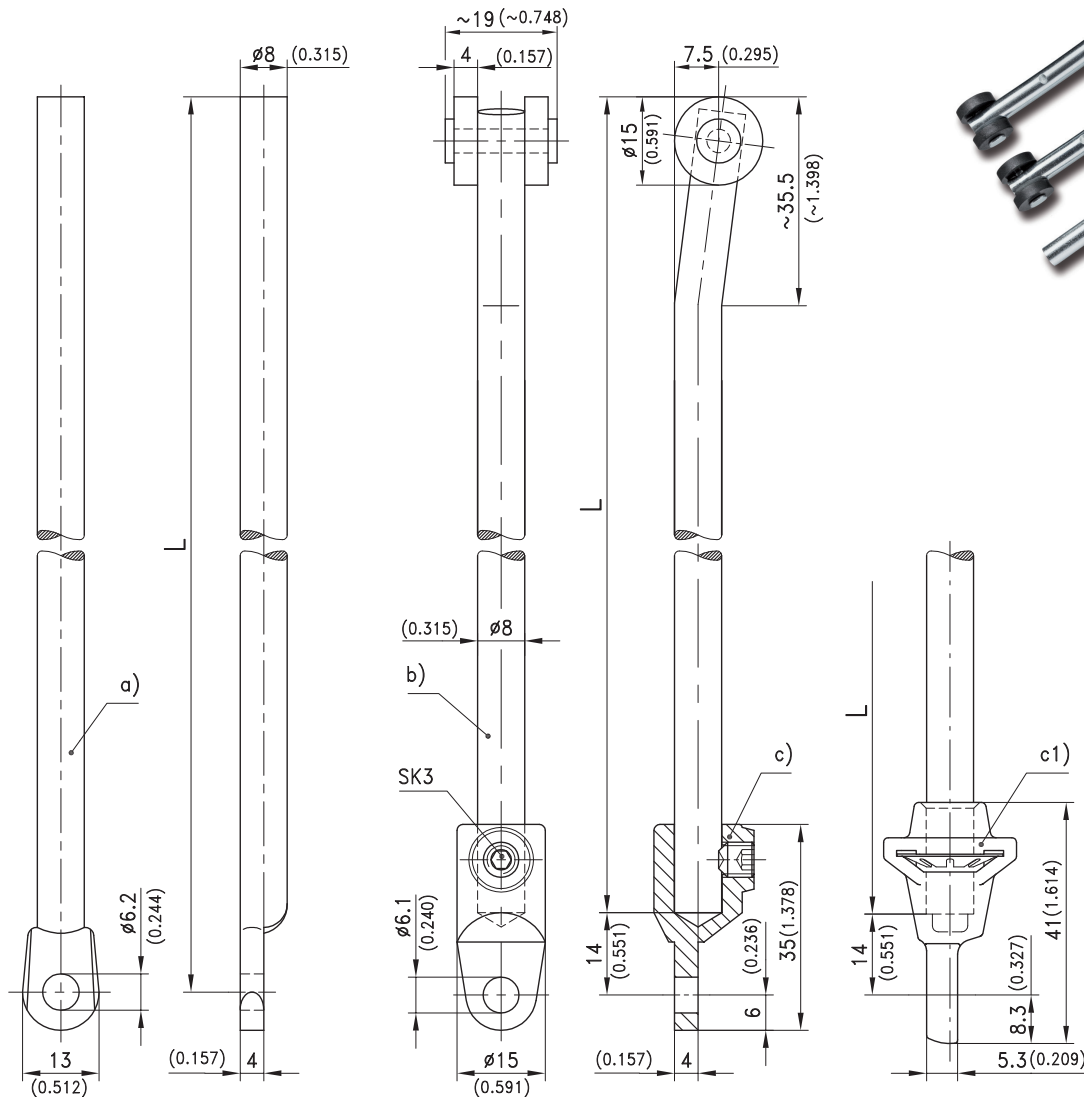


Round rods in different versions, standard length.

- **Attention:**
- Length L up to top of roller!

Material:

- **Round rods:** steel, zinc plated
- **Rollers:** PA, black
- **Rivet:** steel, zinc plated



	L in mm / inch	Part No.	see page
a) Round Rod with eye	400 / 15.748	201-0102	
	500 / 19.685	201-0103	
	600 / 23.622	201-0104	
	700 / 27.559	201-0105	
	800 / 31.496	201-0106	
	900 / 35.433	201-0107	
	1000 / 39.370	201-0108	
	1100 / 43.307	201-0109	
	1200 / 47.244	201-0110	
	b) Round rods with rollers	400 / 15.748	201-9001
500 / 19.685		201-9020-0500	
600 / 23.622		201-9002	
700 / 27.559		201-9020-0700	
800 / 31.496		201-9003	
900 / 35.433		201-9020-0900	
1000 / 39.370		201-9004	
1100 / 43.307		201-9020-1100	
1200 / 47.244	201-9005		
c) Adapter for round rods			02.103
c1) Adapter for round rods			02.102