

## 2-100.01 Swinghandle RS 105

for cutout 105, for round rods, for profile-cylinder



Low Profile Swinghandle for sheet metal and plastic enclosures.

- RH or LH application.
- The polyamide handle is fully insulated.
- The handle is locked by a profile-cylinder according to DIN 18252 or a KABA Ø22 (0.866) round cylinder.
- Water- and dust-tight according to IP65 DIN EN 60529.

### Material:

- a), b) and c)
- **Swinghandle:** PA, black or grey RAL 7032
- d) and d1)
- **3- and 2-point-cam** steel, zinc plated
- e)
- **Round rods:** steel, zinc plated
- f)
- **Adapter:** zinc die, untreated
- g)
- **Rod Guide:** PA, black

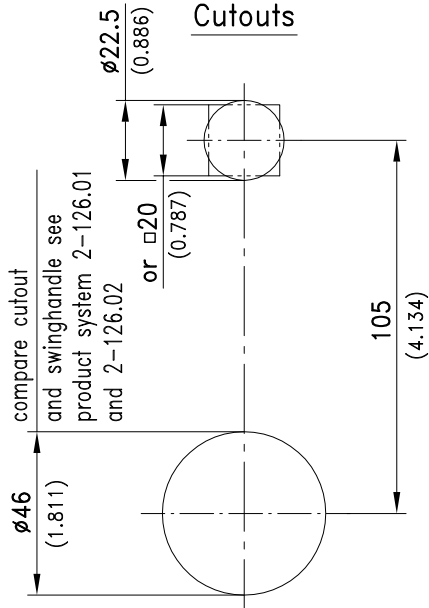
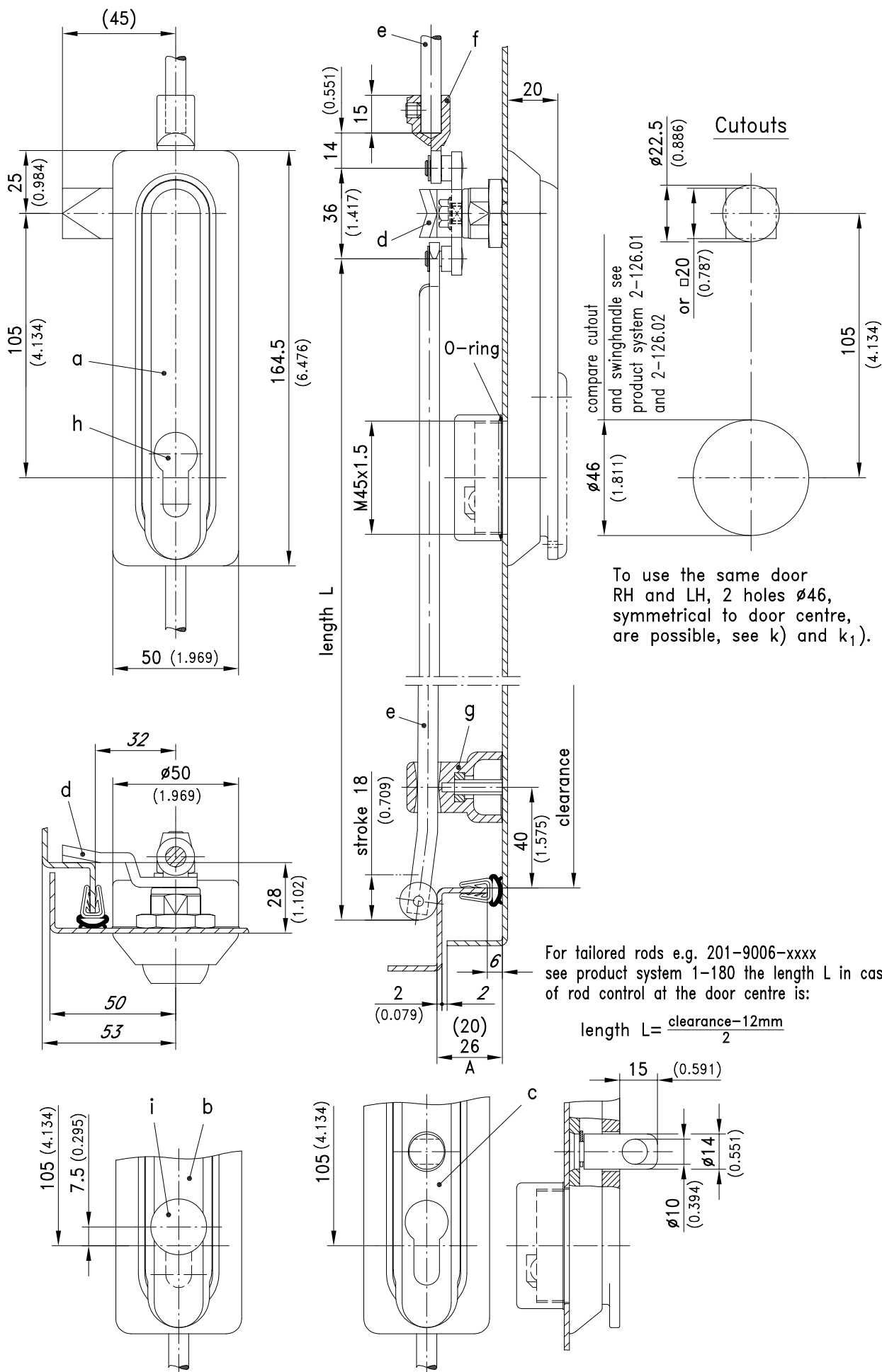


	Cutout	see page
	<b>105/Ø46</b>	
a) Swinghandle, PA (black) for profile-cylinder 40mm long	207-9101	
a1) as a), but with cylinder dustcover	207-9102	
a2) as a1), but with profile-cylinder 45mm long with cover	207-9103	
b) Swinghandle for Ø 22 KABA cylinder		
PA black	207-9109	
PA grey RAL 7032	207-7080*	
b1) as b), but with lead sealable cylinder dustcover		
PA black	207-9110	
PA grey RAL 7032	207-7043*	
b2) as b1), but with reinforced cylinder dustcover		
PA black	207-9111	
PA grey RAL 7032	207-7081*	
c) Swinghandle, PA (black) with padlock device (AISI 304) for profile-cylinder	207-9112	
Optional:		
d) 3-point-cam e.g. for bending	A20 207-9522	03.45
	A26 207-9528	
d1) 2-point-cam	207-9599	
e) Round rod		02.97, 02.98
f) Adapter for round rods		02.103, 02.102
g) Rod guide for bending A20	200-3601.03	02.99, 02.101
Rod guide for bending A26	200-3602.03	
h) Profile Cylinder according DIN 18252		03.42, 03.43
i) KABA cylinder Ø 22 round cylinder on request		
k) Adapter ring to allow installation into 2 holes Ø46. In this case the same door can be used RH or LH.	207-2701.03	
k1) Gasket for adapter	207-2804	

\* Quantity and delivery time on request.

# 2-100.01 Swinghandle RS 105

for cutout 105, for round rods, for profile-cylinder



To use the same door RH and LH, 2 holes  $\phi 46$ , symmetrical to door centre, are possible, see k) and k<sub>1</sub>).

For tailored rods e.g. 201-9006-xxxx see product system 1-180 the length L in case of rod control at the door centre is:

$$\text{length } L = \frac{\text{clearance} - 12\text{mm}}{2}$$