

3-150 Swinghandle FS PrC

for cutout C, for flat rods, for profile-cylinder, padlock or insert



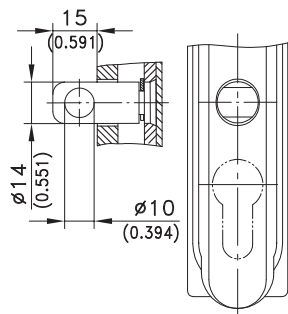
Swinghandle for profile-cylinder to DIN 18252, with fitted cylinder barrel, combination lock or insert see product system 3-130, 3-132.02, 3-165 or 3-170.

- For IP65 DIN EN 60529 applications the lower part of the handle is fixed with a sealed cap. For non IP65 applications e.g. product system 3-170 the lower part has a fastening hook.
- Detailed dimensions of the cutout PrC see product system 3-010.
- To e): The Swinghandles e) and e1) are suitable for 5 or 7 piston profile-cylinders.

- Handle-set includes adapter, locking cam and fittings.

Material:

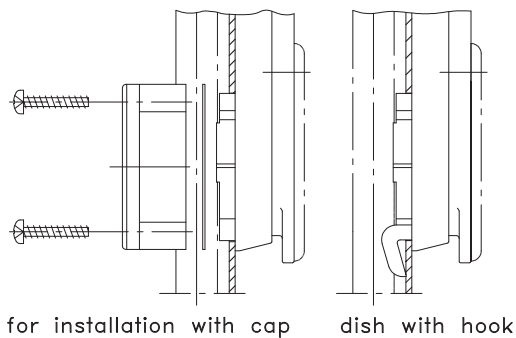
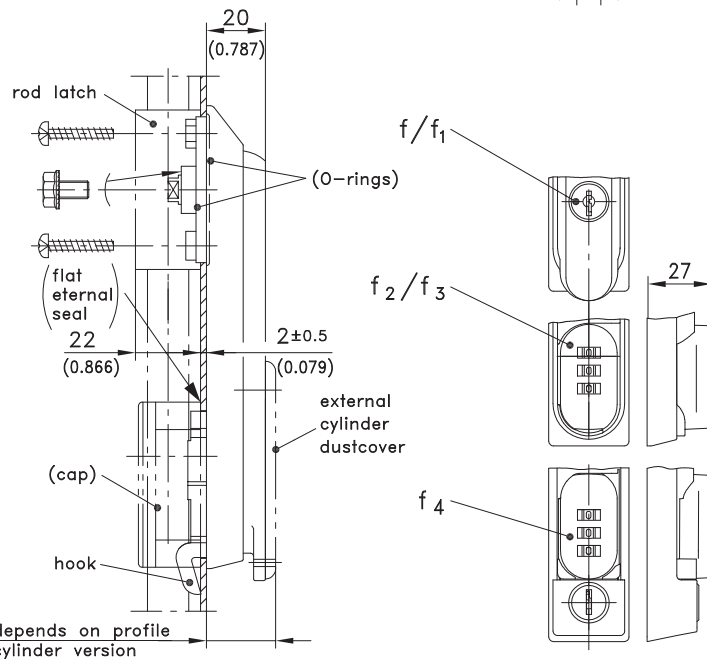
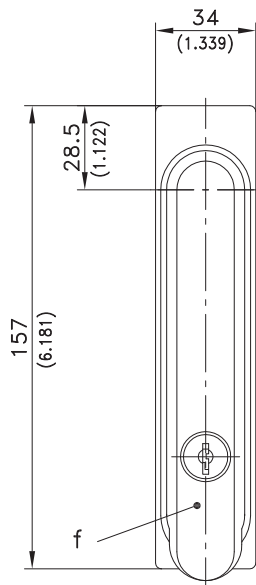
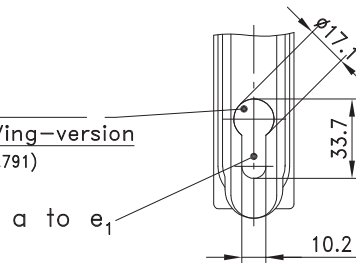
- a) to e1), f) and f1), h) and h1)
- **Swinghandle:** zinc die, chrome plated or black or PA, black or grey RAL 7032
- **Dish:** PA, black f2) and f3)
- **Swinghandle:** zinc die, black f4), g) to g3)
- **Dish:** PA, black f4), g) to g3)
- **Swinghandle:** PA, black i)
- **Dish:** PA, black i)
- **Insert:** zinc die, chrome plated



Padlock device version

(a₂) and b₂)
also in combination with profile-cylinder and cylinder barrel.

hole for KABA is $\varnothing 22$ (0.866)
hole for Assa, Abloy, TrioVing-version is oblong 35.1x20.1 (1.382x0.791)



3-150 Swinghandle FS PrC

for cutout C, for flat rods, for profile-cylinder, padlock or insert

Swinghandle (PA, black) for profile-cylinder for installation with cap (IP65)	with cylinder dustcover	without dustcover	see page	
a) for Profile-Cylinder 40mm long	207-9202	207-9201		
a1) for Profile-Cylinder 45mm long	207-9203	-		
a2) for padlock device and Profile-Cylinder	-	207-9208		
a3) as a), but handle zinc die, black	207-9296	207-9297		
a4) as a1), but handle zinc die, black raised	207-9298	-		
Swinghandle (PA, black) dish with hook (no IP65 rating)				
b) for Profile-Cylinder 40mm long	207-9206	207-9204		
b1) for Profile-Cylinder 45mm long	207-9207	207-9205		
b2) for padlock device	-	207-9209		
b3) as b), but handle zinc die, black	on request	107-9273		
b4) as b1) but handle zinc die, black	on request	-		
c) Profile-Cylinder according DIN 18252 Swinghandle KABA-version Ø22				03.42, 03.43
d) PA, black	207-9215	207-9214		
d1) PA, grey RAL 7032	207-9217**	207-9216**		
Swinghandle Assa-, Abloy-, TrioVing-version				
e) PA, black	207-9219	207-9218		
e1) PA, black, with reinforced dustcover	207-9220	-		
	handle zinc die, chrome plated	handle zinc die, black	handle PA, black	handle PA, black
f) Swinghandle with cylinder and cap (IP65)	without cyl. dustcover	without cyl. dustcover	with cylinder dustcover	without cyl. dustcover
keyed alike DIRAK 1333*	107-9231	107-9230	207-9263	207-9262
keyed alike DS200*	507-9231	507-9230	507-9263	507-9262
keyed different/mixed	107-9239	107-9238	207-9265	207-9264
f1) as f), but dish with hook (not IP65)				
keyed alike DIRAK 1333*	107-9235	107-9234	207-9267	207-9266
keyed alike DS200*	507-9235	507-9234	507-9267	507-9266
keyed different/mixed	107-9243	107-9242	207-9269	207-9268
Swinghandle with combination lock				
f2) for installation with cap (IP65)	107-9264	107-9266	-	-
f3) dish with hook	107-9265	107-9267	-	-
f4) Swinghandle with cylinder and combination lock, for installation with cap (IP65) "Override"				
keyed alike DIRAK 1333*	-	-	-	107-9274
keyed alike but not DIRAK 1333*	-	-	-	107-9276
In case of order please state the required key number				
Swinghandle clip-in, handle closed				
g) for installation with cap (IP65)	-	-	-	107-9256
g1) dish with hook	-	-	-	107-9257
g2) for padlock device, with cap and seals (IP65)	-	-	-	107-9258
g3) for padlock device, dish with hook (no IP65 rating)	-	-	-	107-9259
Swinghandle for insert				
h) for installation with cap (IP65)	107-9247	107-9246	207-9271	207-9270
h1) dish with hook	107-9251	107-9250	207-9273	207-9272
i) Inserts must be ordered separately Locking stub is included in handle assembly.				
k) Assembling of inserts				207-0016
* with stainless dust-shutter				
** Price and delivery time on request				
The Swinghandles listed under a), a1), and e1) can be retrofitted with a sliding cap.				03.14
The sliding cap can be used for profile-cylinders from product system 2-140 and also for raised profile cylinders.				