

# 2-090 Swinghandle RS PrC

for cutout C, for round rods, for profile-cylinder, insert or padlock



Low profile swinghandle. Double insulated.

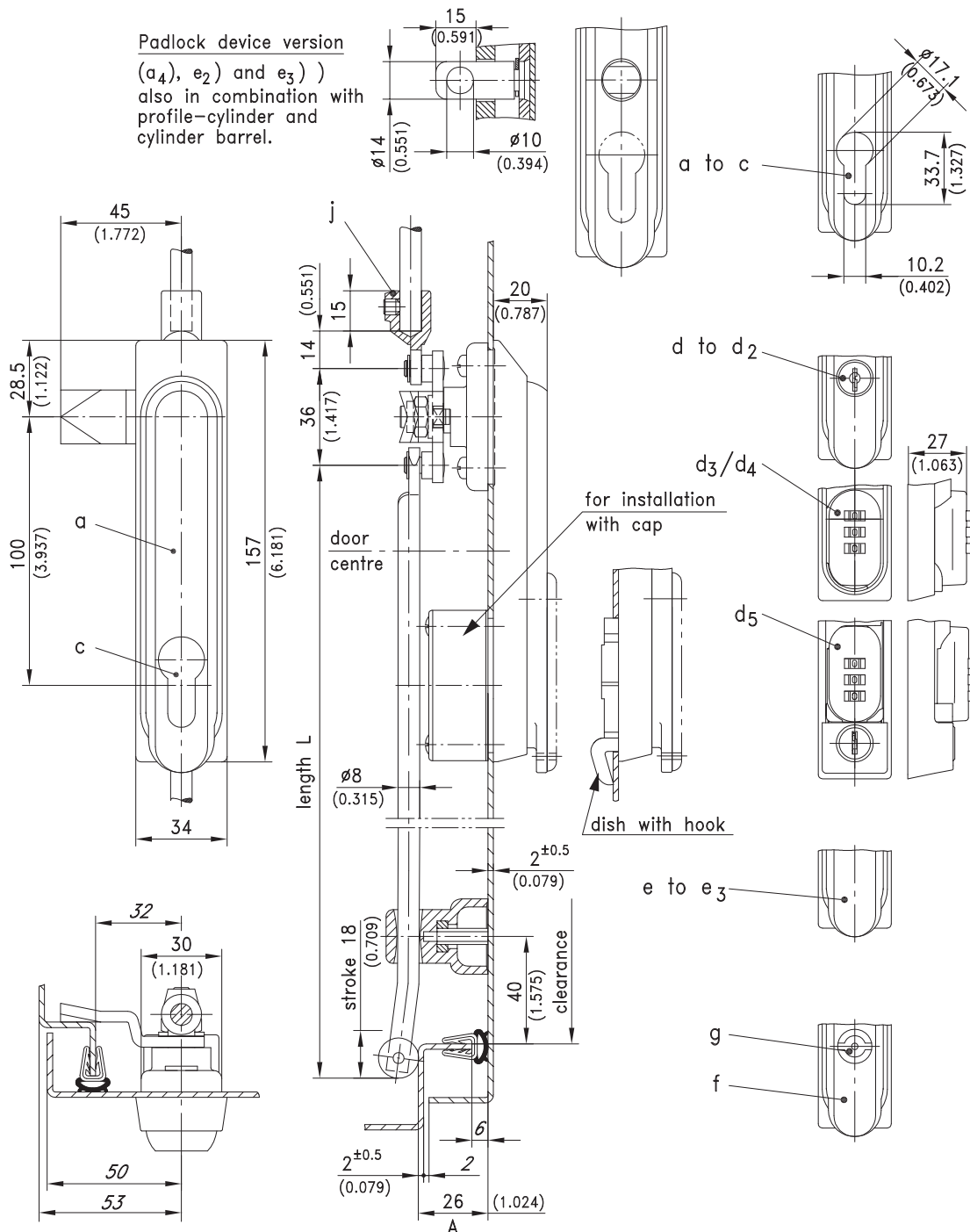
- The Swinghandle can be locked with 40mm long profile-cylinders (DIN 18252), cylinder, combination lock or insert.
- RH or LH application.
- Water- and dust-tight according to IP65 DIN EN 60529.
- Detailed dimensions of the cutout PrC see product system 3-010.

## Material:

- a) to a4), b, b1) d) to d1), f) and f1)
- **Swinghandle:** PA, black or zinc die, chrome plated or black
- **Dish:** PA, black d3) and d4)
- **Swinghandle:** zinc die, black
- **Dish:** PA, black d5), e) to e3)
- **Swinghandle:** PA, black
- **Dish:** PA, black i)
- **Grounding clip:** stainless steel AISI 301



Padlock device version (a<sub>4</sub>, e<sub>2</sub>) and e<sub>3</sub>) also in combination with profile-cylinder and cylinder barrel.



## 2-090 Swinghandle RS PrC

for cutout C, for round rods, for profile-cylinder, insert or padlock

Swinghandle for profile-cylinder for installation with cap (IP65)	zinc die chrome plated	zinc die, black	PA, black	see page
a) for profile-cylinder 40mm long	107-9225	107-9226	207-9282	
a1) as a) but with lead sealable cylinder cover	-	107-9227	207-9283	
a2) as a1), but 5mm raised for profile-cylinder 45mm long with cover	-	107-9228	207-9284	
<b>a3) Design-Swinghandle</b>				
for round DESIGN-inserts without ext. cyl. dustcover	-	-	207-9288	
for round DESIGN-inserts with ext. cyl. dustcover	-	-	207-9289	
for oblong DESIGN-inserts without ext. cyl. dustcover	-	-	207-9290	
Drawings, colored clip-in design-inserts and assembling of design-inserts				04.23
a4) as a), but with padlock device	-	107-9282	-	
<b>Swinghandle, dish with hook (no IP65 rating)</b>				
b) without ext. cyl. dustcover	on request	on request	107-9254	
b1) with ext. cyl. dustcover	on request	on request	107-9255	
c) Profile-cylinder according DIN 18252				03.42, 03.43
d) Swinghandle with fitted cylinder barrel, without cover, for installation with cap (IP65)	zinc die chrome plated	zinc die, black	PA, black	
keyed alike DIRAK 1333*	107-9201	107-9202	207-9238	
keyed alike DS200*	507-9201	507-9202	507-9238	
keyed different/mixed	107-9203	107-9204	207-9239	
<b>d1) as d), but with cover</b>				
keyed alike DIRAK 1333*	-	-	207-9240	
keyed alike DS200*	-	-	507-9240	
keyed different/mixed	-	-	207-9241	
d2) as d1), but dish with hook (no IP65 rating)	on request	on request	-	
<b>Swinghandle with number lock</b>				
d3) for installation with cap (IP65)	107-9268	107-9270	-	
d4) dish with hook (IP65 not possible)	107-9269	107-9271	-	
<b>d5) Swinghandle with fitted cylinder barrel and combination lock, for installation with cap (IP65)</b>				
keyed alike DIRAK 1333*	-	-	107-9277	
keyed alike but not DIRAK 1333*	-	-	107-9278+Key-No.	
<b>Swinghandle, clip-in, handle closed</b>				
e) for installation with cap (IP65)	-	-	107-9260	
e1) dish with hook (IP65 not possible)	-	-	107-9261	
e2) for padlock device, with cap and seals (IP65)	-	-	107-9262	
e3) for padlock device, dish with hook (no IP65 rating)	-	-	107-9263	
<b>Swinghandle for fitting insert</b>				
f) for installation with cap (IP65)	107-9205	107-9206	207-9244	
f1) dish with hook (IP65 not possible)	on request	on request	107-9279	
g) Inserts must be ordered separately				03.44
h) Assembling of inserts				
	207-0016	207-0016	207-0016	
Accessories d) to g).				03.22, 03.23
i) Grounding clip, see product system 3-011	208-1206.93	208-1206.93	208-1206.93	
* with stainless dust-shutter				
The Swinghandles listed under a1), a2), b1), d1) and d2) can be retrofitted with a sliding cap.				03.14
The sliding cap can be used for profile-cylinders from product system 2-140 and also for raised profile cylinders.				
j) Adapter for round rods				02.103, 02.102