

5-153 Clip-on Sealing Profiles

PVC / sponge rubber EPDM

Combination sealing profiles extend the properties of edge protection profiles to include sealing.

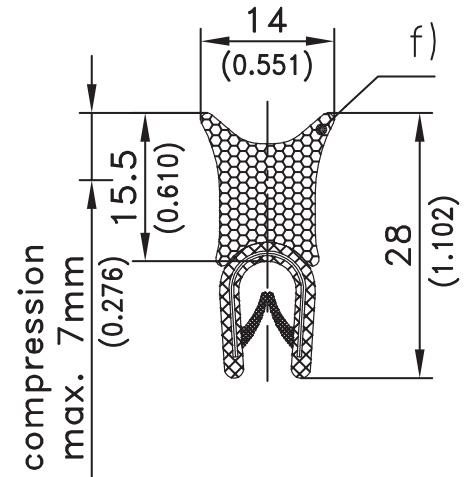
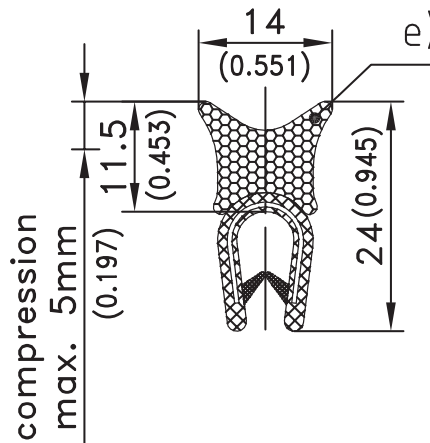
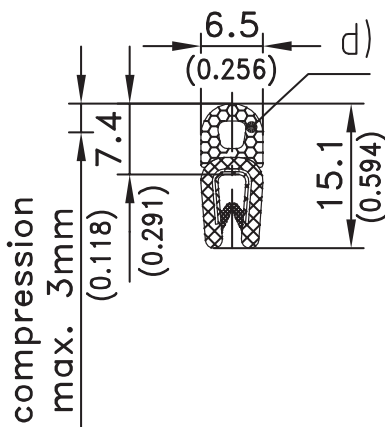
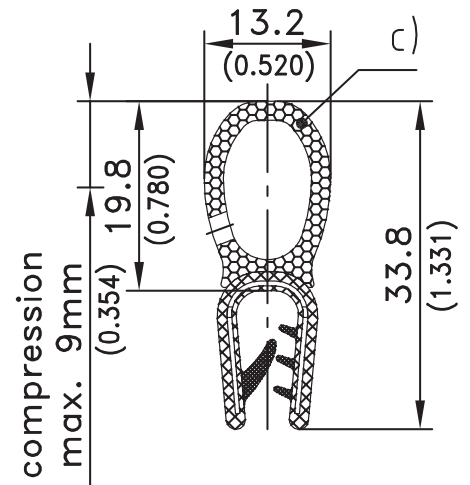
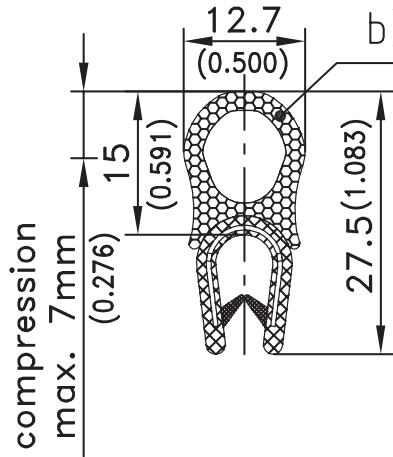
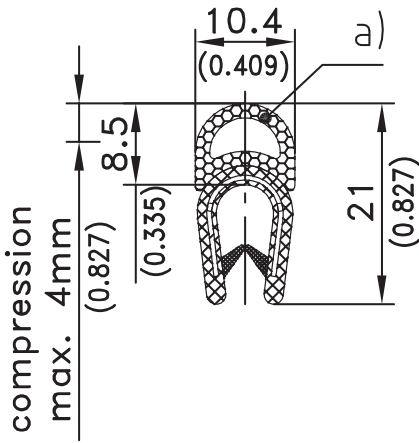
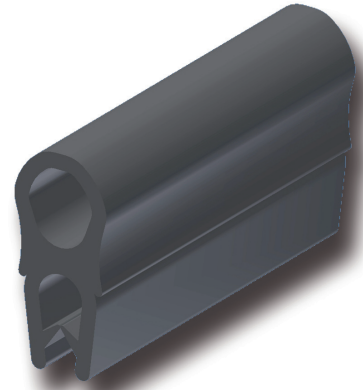
- Clip-on sealing.
- The combination profiles consist of PVC with closed cell sponge rubber profiles.
- These sponge rubber profiles are made of high-quality synthetic rubber and are characterized by a high age resistance and great elasticity.
- Sealing profiles as a combination between PVC edge trim and sponge rubber can have up to two glued joints.

Customized designs:

- If the cross-sections shown here are not suitable for your specific application, we can produce a customized profile to meet your needs.

Material:

- **Carrier:** PVC
- **Sealing part:** Sponge rubber, EPDM



	Material	color	clamping range	packaging unit	Part No.
a)	PVC / sponge rubber, EPDM	black	1.0 - 4.0mm	50m	209-0213
b)	PVC / sponge rubber, EPDM	black	1.0 - 4.0mm	50m	209-0215
c)	PVC / sponge rubber, EPDM	black	2.0 - 4.0mm	50m	209-0216
d)	PVC / sponge rubber, EPDM	black	1.0 - 2.0mm	100m	209-0222
e)	PVC / sponge rubber, EPDM	black	1.0 - 4.0mm	50m	209-0227
f)	PVC / sponge rubber, EPDM	black	1.0 - 4.0mm	50m	209-0238