

5-110.01 Edge Sealing Profiles

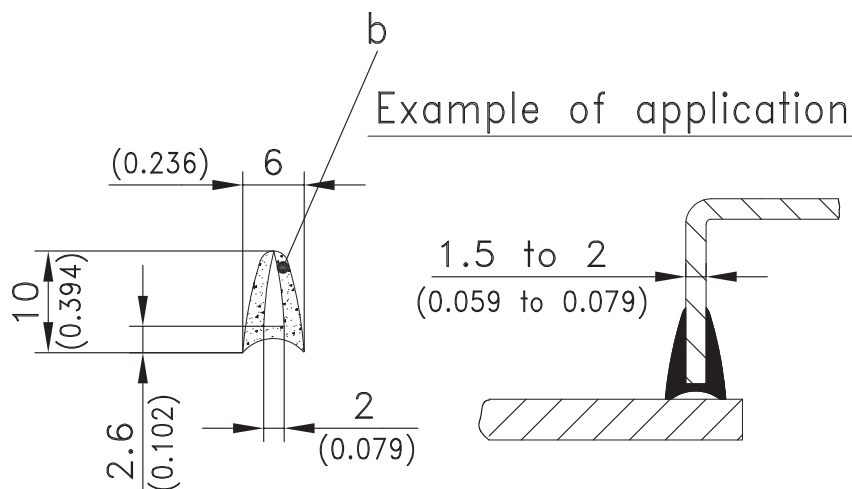
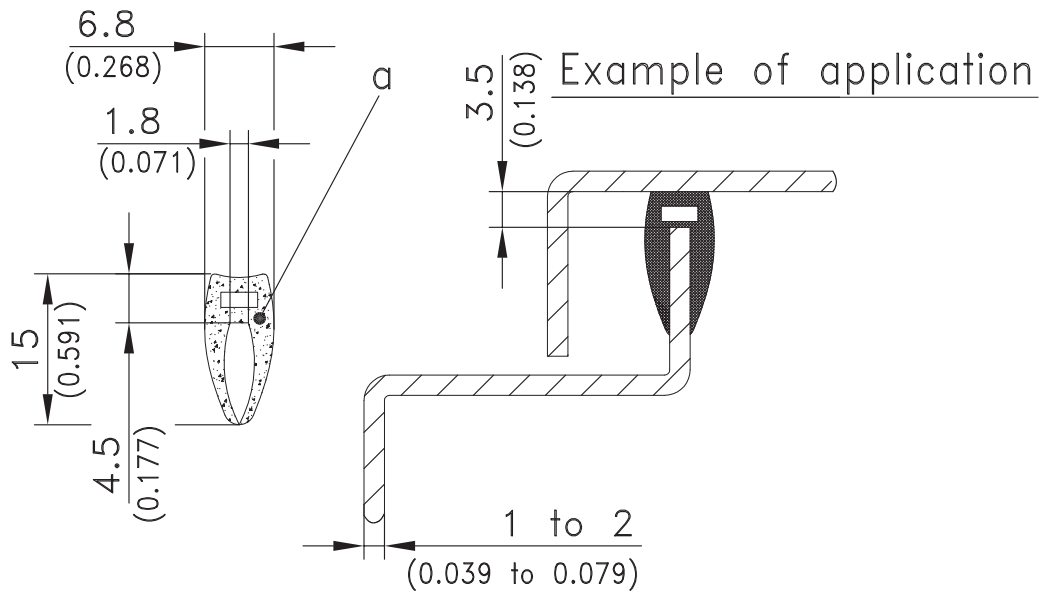
EPDM



Basic door profiles for lids, doors and paneling, made of EPDM.

- Simple fitting: these profiles are simply pushed onto sheet metal edges. If necessary profiles have to be glued.
- No radius or mitering necessary: no warping or folds.
- Tolerances: see page 07.07.

- **Customized designs:**
- If the cross-sections shown here are not suitable for your specific application, we can produce a customized profile to meet your needs.



	Material	color	packaging unit	Part No.
a)	EPDM	black	50m	209-0302
b)	EPDM	black	50m	209-0301