

# 4-290 Hinge Pr04 180°

Lift-off, for adjacent cabinets, for surface mounted door

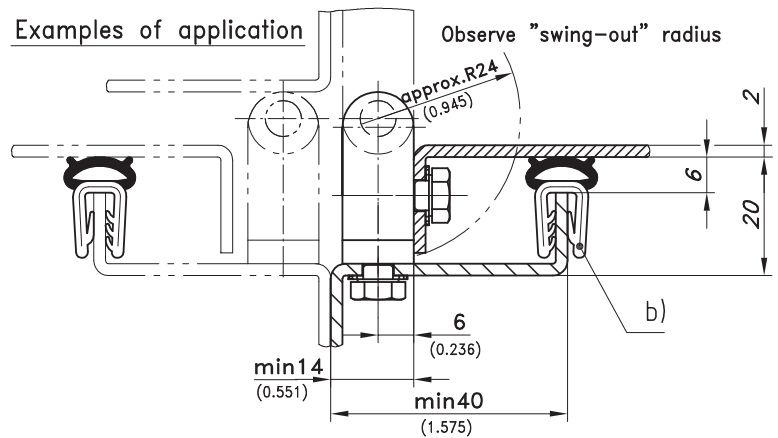
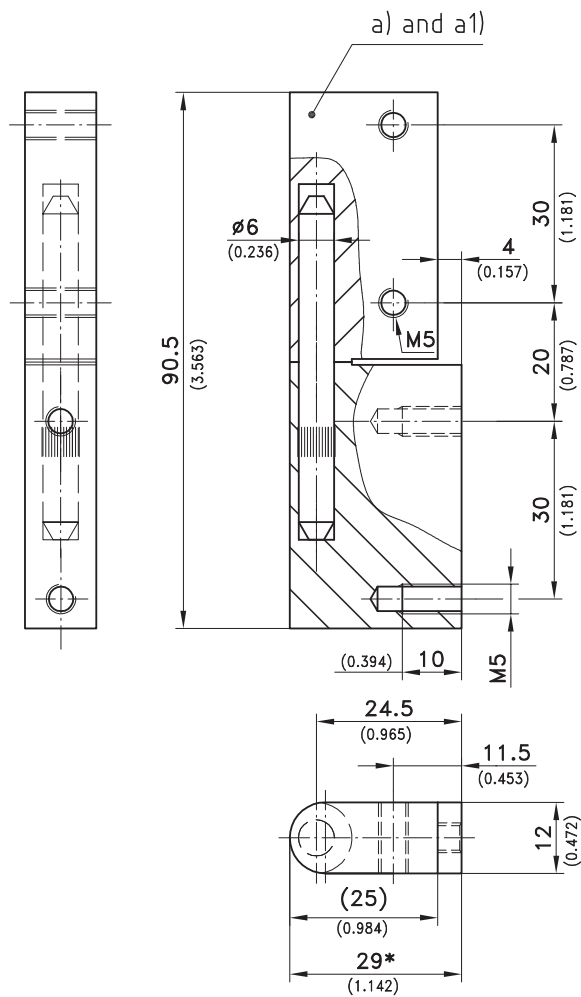


180° Hinge screw-on for surface mounted door.

- RH or LH application.
- 180° Opening angle.
- Door is lift-off.

**Material:**

- **Hinge parts:** zinc die, chrome plated or black coated
- **Pin:** stainless steel



version	chrome plated	black	see page
a) Hinge	210-9002	210-9001	
a1) For bending up to 30mm	-	210-9003	
* (39mm high instead of 29mm)			
b) e.g. Clip-On Profiles		209-0201	07.19