

2-140 Profile-Cylinder

for swinghandle

Profile-cylinders for Swinghandles see product systems 2-080.01, 2-080.02, 2-090, 2-100.01, 2-120, 2-300, 2-340, 2-400 or 3-150, 3-153, 3-155.02, 3-170.

• **Version A:**

• Key removable in closed status only.

• **Version A1:**

• Key removable in locked status only. Spring loaded clip-in cam.

• **Version A2:**

• Key removable in locked and unlocked position. Spring loaded clip-in cam. Cam has 90° stroke, not clip-in. Cam length is 12.2mm / 0.480.

• **Version B:**

• Spring loaded clip-in cam.

• **Versions A1, A2 and C** are supplied with 2, **Version A** with 3 keys.

Material:

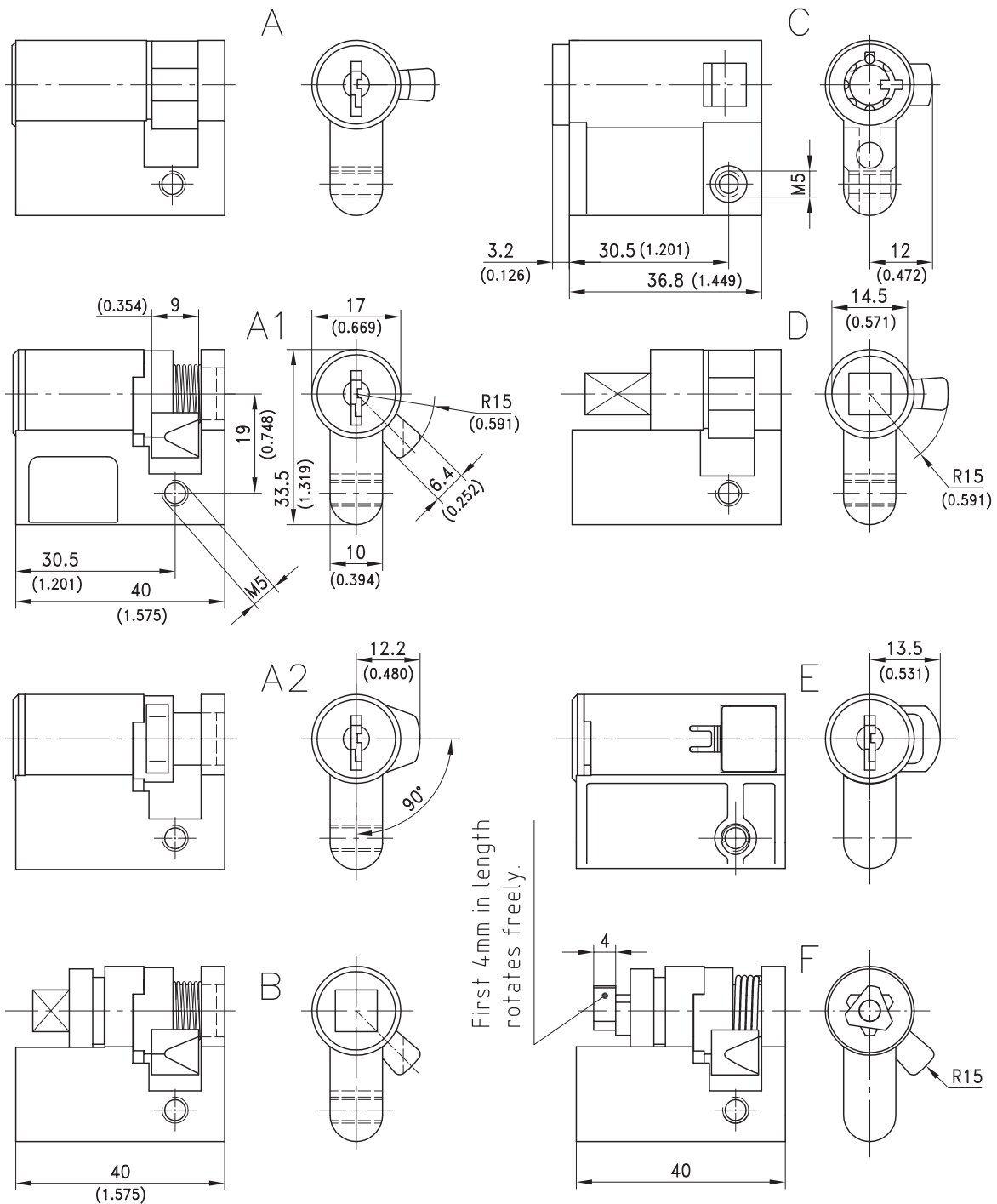
• **A and D:** brass, nickel plated

• **A1, A2, B, C and F:** zinc die, chrome plated

• **Blank:** PA, black

• **E Housing and bolt:** PA, black

• **Cylinder:** zinc die



2-140 Profile-Cylinder

for swinghandle

Key type	Part No.	see page
A Profile-cylinder to DIN 18252/18254, 8x45° adjustable		
DIRAK Profile-cylinder keyed different/mixed	211-9003	
DIRAK Profile-cylinder keyed alike	211-9004	
keyed different/mixed	211-9001	
Masterkey-system	on request	
keyed alike, key-no. BC 5014	211-9002	
A1 DIRAK key system, clip-in pawl		
keyed different/mixed*	211-9101	
keyed alike DIRAK 1333*	211-9102	
keyed alike DS200*	511-9102	
A2 DIRAK key system, cam NOT spring loaded, 90° rotation		
keyed different/mixed*	211-9301	
keyed alike DIRAK 1333*	211-9302	
keyed alike DS200*	511-9302	
B Profile-cylinder with insert		
Square 6mm	211-9202	
Square 7mm	211-9203	
Square 8mm	211-9204	
Square 8mm slotted	211-9205	
Triangular 7mm	211-9206	
Triangular 8mm	211-9207	
Double bit 3mm pin	211-9208	
Double bit 5mm pin	211-9209	
Triangular 6.5mm CNOMO Type 1	211-9210	
Socket hex. 10mm	211-9211	
Slotted 2x4mm deep	211-9212	
Daimler Benz type	211-9213	
Crown type	211-9214	
Square socket 6mm	211-9215	
Square socket 7mm	211-9216	
Square socket 8mm	211-9217	
Slotted recessed coinproof	211-9218	
Crescent Czech	211-9219	
Hex Belcore 7/16"	211-9220	
Key for insert		09.10, 09.11
Further version	on request	
C Profile-cylinder push-lock with Tubular Lock		
keyed different/mixed	211-9106	
keyed alike D0205	211-9107	
D Profile-cylinder, (brass, nickel plated) 360° for hollow key insert	Hollow key	
Square 7mm	204-0102	211-9402
Square 8mm	204-0103	211-9403
Triangular 8mm	204-0105	211-9405
Special inserts		on request
E Slam-profile-cylinder with PA housing and bolt		
keyed alike DIRAK 1333*	211-9113	
keyed different/mixed (dual entry)*	211-9115	
211-9114 has been reserved for keyed different with other key-types (single entry key!)		
F Security insert with free rotating 8mm triangular front part	211-9244	
Polyamide-plug without spring-loaded ball	211-0401.03	
Polyamide-plug with spring-loaded ball	211-9201	

* with stainless dust-shutter