

2-141 Inserts

for swinghandle

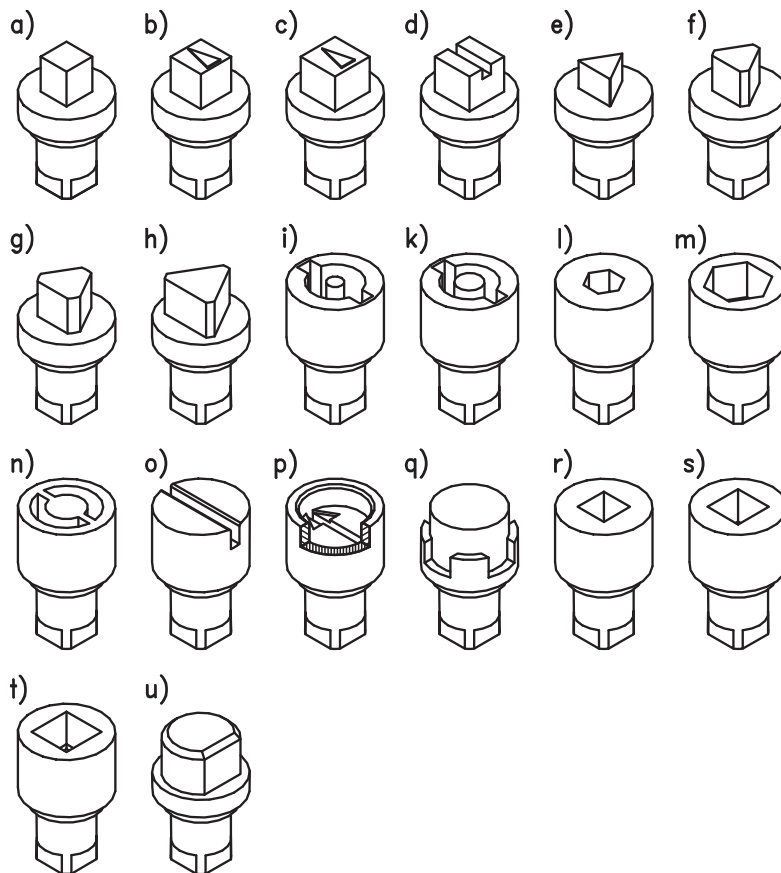
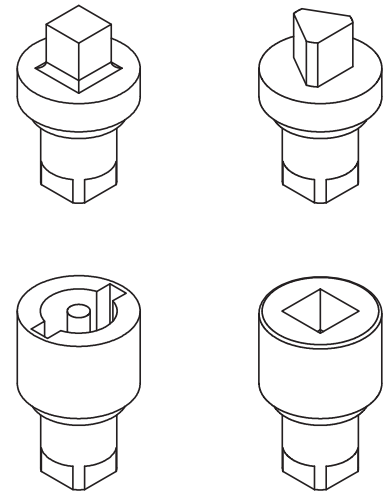


Inserts with spring washer for swinghandle see product system 2-070, 2-080.01, 2-080.02, 2-090, 3-070 and 3-155.02.

- Suitable keys see product system 6-100.

Material:

- **Insert:** zinc die, chrome plated
- **Wave washer:** spring steel, zinc plated



Insert	Part No.	Insert	Part No.
a) Square 6mm	211-9501	l) Socket hex. 6mm	211-9511
b) Square 7mm	211-9502	m) Socket hex. 10mm	211-9512
c) Square 8mm	211-9503	n) Daimler Benz type	211-9513
d) Square 8mm slotted	211-9504	o) Slotted 2x4mm deep	211-9514
e) Triangular 6.5mm CNOMO	211-9505	p) Slotted recessed coinproof	211-9515
f) Triangular 7mm	211-9506	q) Crown type	211-9516
g) Triangular 8mm	211-9507	r) Square socket 6mm	211-9517
h) Triangular 9mm EDF	211-9508	s) Square socket 7mm	211-9518
i) Double bit 3mm pin	211-9509	t) Square socket 8mm	211-9519
k) Double bit 5mm pin	211-9510	u) Crescent Czech	211-9520

Insert sets consist of insert and spring washer

For further versions, please contact DIRAK.