

4-150 Hinge Pr05 180°

for single cabinet, door bending 20mm, for surface mounted door

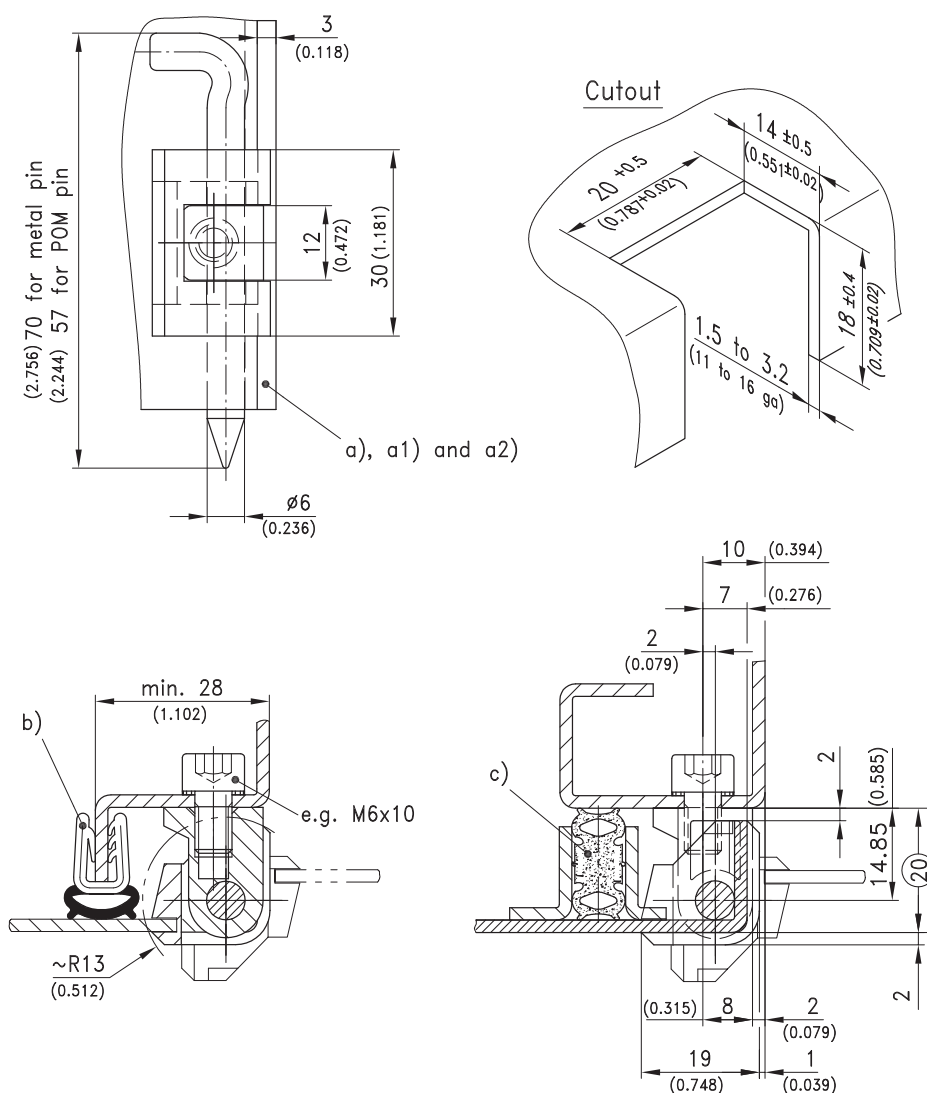


180° hinge for surface mounted door.

- RH or LH application.
- The door-part has 2 stubs, keeping it in position during mounting of the pin.
- This hinge is fully interchangeable with the hinge shown on product system 4-160.

Material:

- **Frame-part and door-part:** zinc die, chrome plated or black coated
- **Pins:** steel, zinc plated; stainless steel or POM natural



Hinge	door-thickness 1.5 to 2 (16 to 14ga)		door-thickness 2.5 to 3.2 (12 to 11ga)		see page
	chrome plated	black	chrome plated	black	
a) Pin, steel, zinc plated	212-9001	212-9004	212-9501	212-9504	
a1) Pin, stainless steel	212-9002	212-9005	212-9502	212-9505	
a2) Pin, POM natural (selfsecuring)	212-9003	212-9006	212-9503	212-9506	
Screws					09.04
b) e.g. Clip-on profile				209-0201	07.19
c) e.g. Clip-on profile				209-0122	07.08