

# 4-185 Hinge Pr05 180°

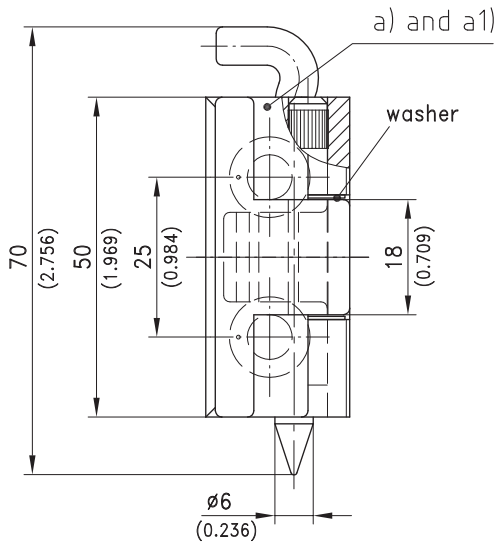
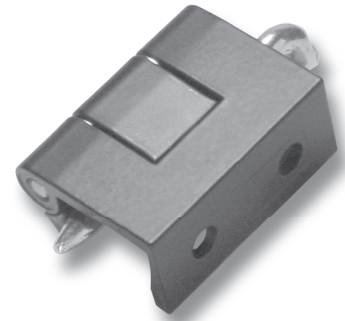
for adjacent door, door bending 25mm, for surface mounted door



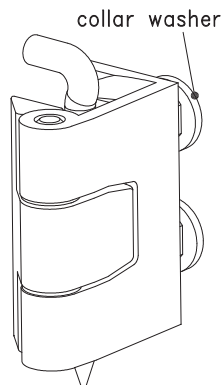
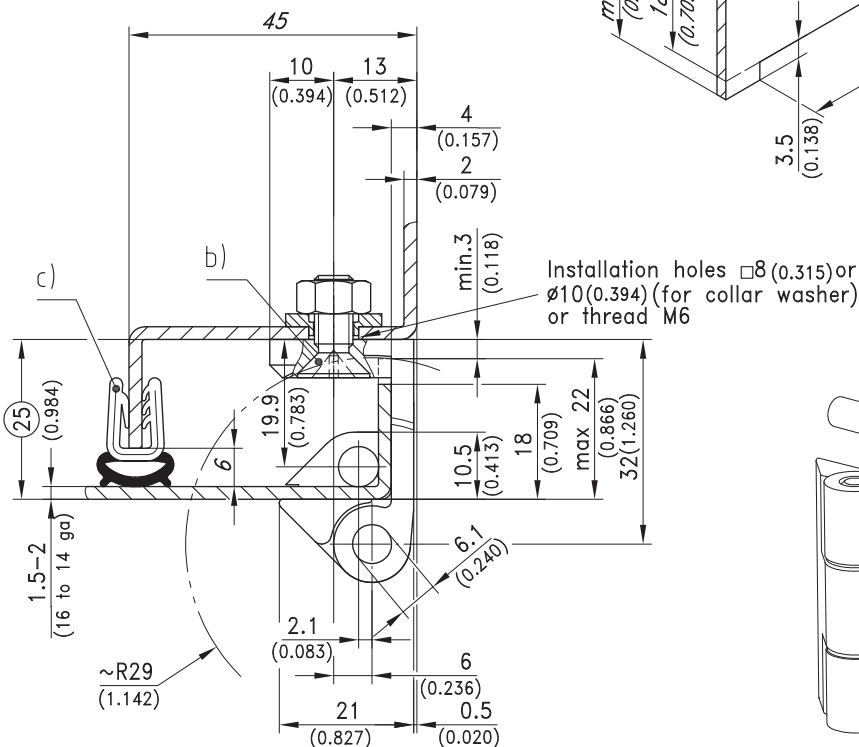
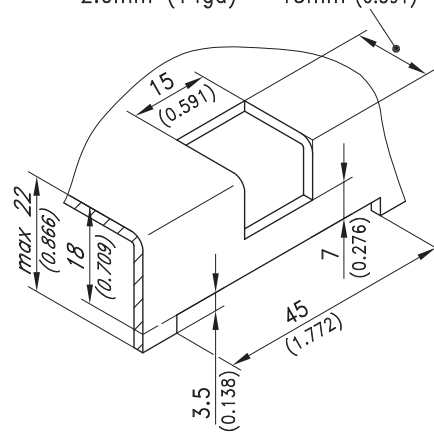
180° Hinge for surface mounted door.  
• RH or LH application.

**Material:**

- **Frame-part and door-part:** zinc die, chrome plated or black coated
- **Washer:** brass, nickel plated
- **Pin:** steel, zinc plated
- **Collar washer:** steel, zinc plated



**Cutout**  
1.5mm (16ga) = 13mm (0.512)  
2.0mm (14ga) = 15mm (0.591)



| Hinge                                                                         | zinc die, chrome plated | zinc die, black | see page |
|-------------------------------------------------------------------------------|-------------------------|-----------------|----------|
| a) with countersunk holes and collar washers, cutout $\phi 10$ or $\square 8$ | 212-9050                | 212-9037        |          |
| a1) with countersunk holes for 6mm screws, cutout $\phi 6$                    | 212-9088                | 212-9038        |          |
| b) Countersunk machine screws zinc plated                                     |                         |                 | 09.04    |
| c) e.g. Clip-on profiles                                                      |                         | 209-0201        | 07.19    |