

7-134 Hinge Pr05 180°

for single cabinets, door bending 20mm, for surface mounted door, stainless steel AISI 316

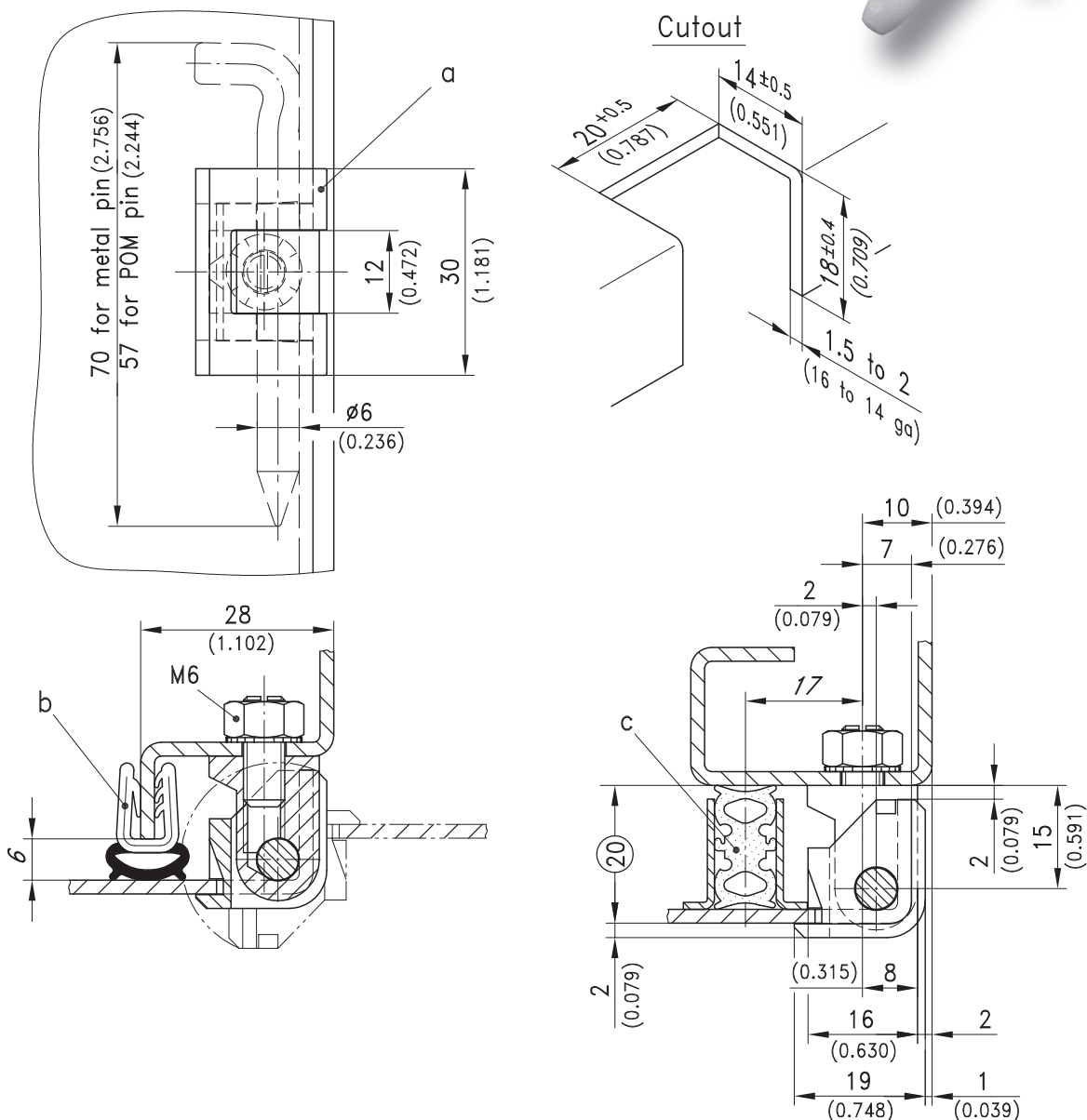
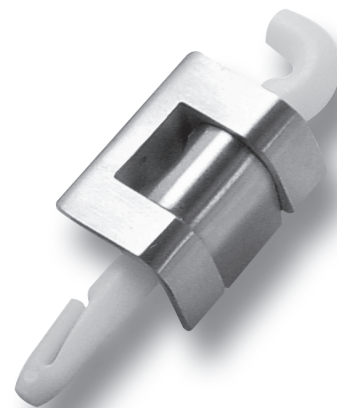


180° hinge for surface mounted door.

- RH or LH application.
- The POM pin is self-securing.

Material:

- **Hinge Parts:** stainless steel AISI 316
- **Pin:** POM, natural or stainless steel



| 180° Hinge | Part No. | see page |
|---|----------|----------|
| a) with pin, stainless steel | 212-9201 | |
| a1) with pin, POM | 212-9202 | |
| Stud, serrated washer and nuts are included. | | |
| b) e.g. Clip-on profile | 209-0201 | 07.19 |
| c) e.g. Clip-on profile | 209-0122 | 07.09 |