

4-161 Hinge Pr05 180°

for adjacent cabinets, door bending 20mm, for surface mounted door

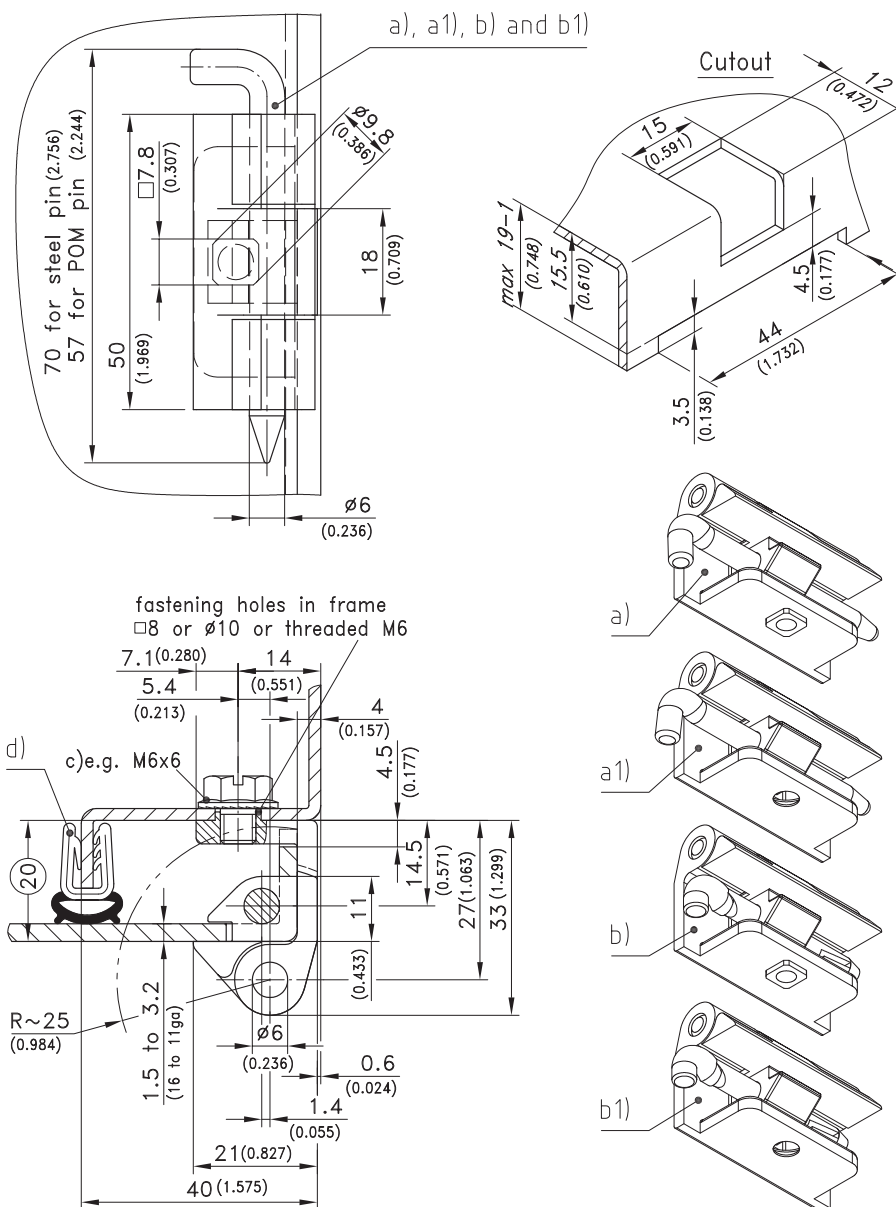


180° Hinge for surface mounted door.

- RH or LH application.

Material:

- **Frame-part and door-part:** zinc die, chrome plated or black coated
- **Washer:** brass, nickel plated
- **Pin:** steel, zinc plated or POM, natural



	door-thickness 1.5 to 2 (16 to 14ga)		door-thickness 2.5 to 3.2 (12 to 11ga)	see page
Frame-part	black	chrome plated*	black	
a) with M6 threaded stubs	212-9027	212-9025	212-9527	
a1) countersunk for M6	212-9028	212-9026	212-9528	
b) with M6 threaded stubs and pin, POM	212-9035	212-9033	212-9535	
b1) countersunk for 6mm and pin, POM	212-9036	212-9034	212-9536	
* Chrome plated version on request				
c) Screws, e.g. M6x6				09.04, 09.05
d) e.g. Clip-on profiles			209-0201	07.19