

7-135 Hinge Pr05 180°

for adjacent cabinet, door bending 20mm, for surface mounted door, stainless steel AISI 316

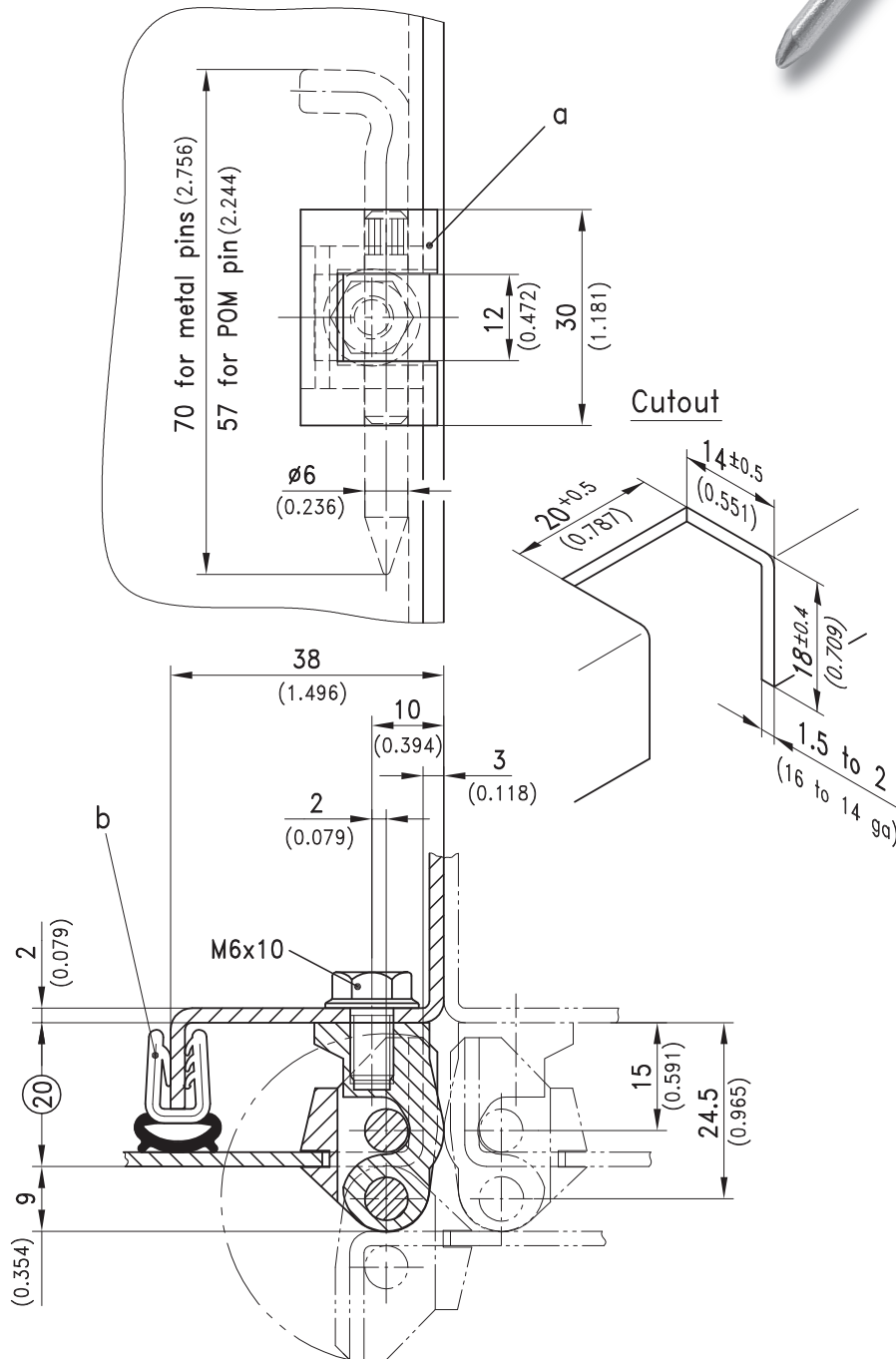


180° hinge for surface mounted door.

- RH or LH application.
- 180° Opening angle even with adjacent cabinets.
- The POM pin is self-securing.

Material:

- **Hinge Parts:** stainless steel AISI 316
- **Pin:** POM, natural or stainless steel



180° Hinge	Part No.	see page
a) with pin, stainless steel	212-9701	
a1) with pin, POM	212-9702	
b) e.g. Clip-on profile	209-0201	07.19
Screws		09.04