

6-1031 Bridge Handle

Polyamide

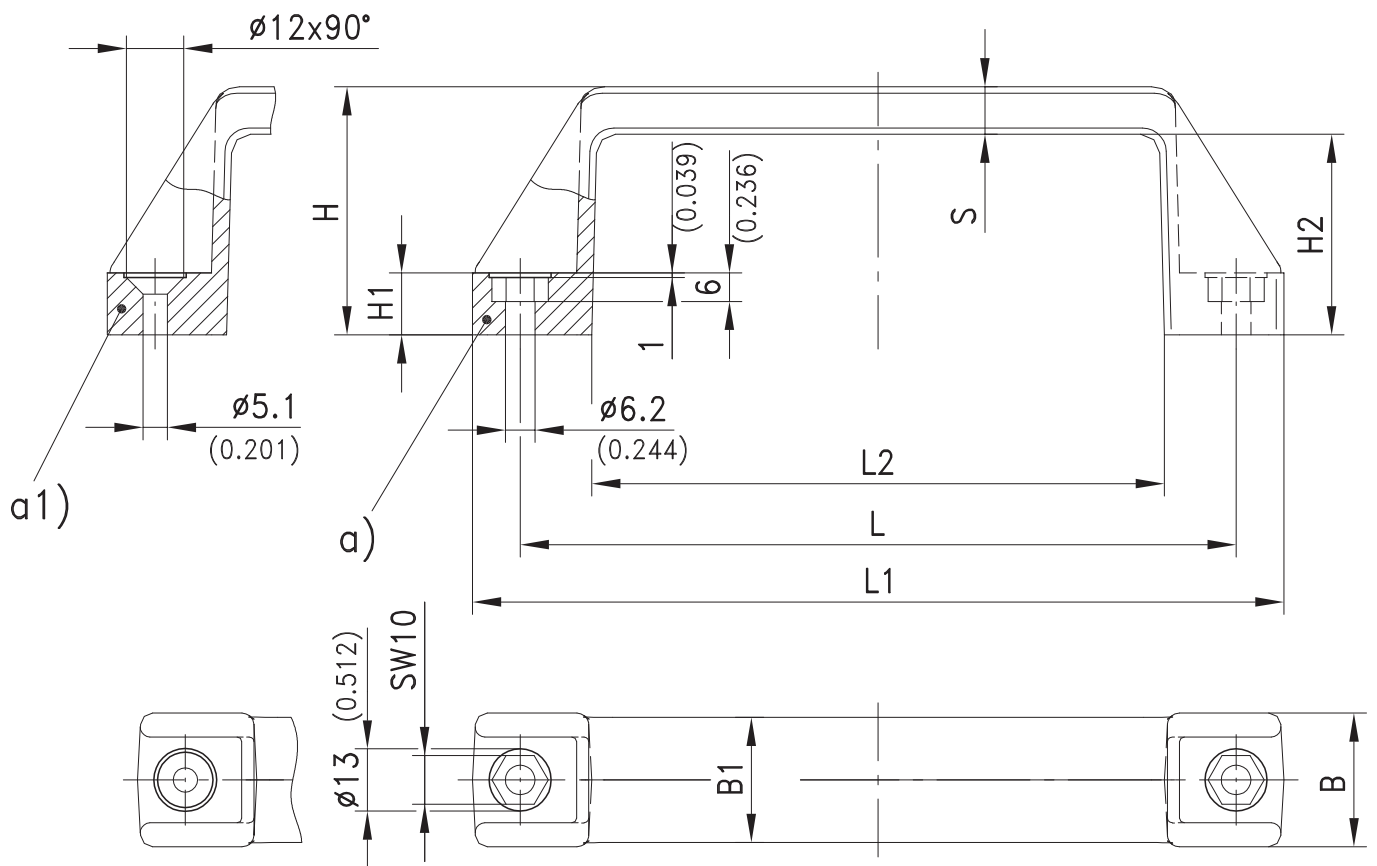


Polyamide handle, two sizes.

- Fastening with cap screws or hexagon head screws (version a) or with countersunk head screws (version a1).
- New versions please refer to product system 6-1000.

Material:

- a) and a1)
- PA, black



version	L/inch	L1/inch	L2/inch	B/inch	B1/inch	H/inch	H1/inch	H2/inch	S/inch	Part No.	see page
a) with hexagon socket M6	122/ 4.803	142/ 5.591	98/ 3.858	26/ 1.024	24/ 0.945	40/ 1.575	12/ 0.472	32/ 1.260	8/ 0.315	213-0201.03	
a1) with countersunk M5	122/ 4.803	142/ 5.591	98/ 3.858	26/ 1.024	24/ 0.945	40/ 1.575	12/ 0.472	32/ 1.260	8/ 0.315	213-0202.03	
a) with hexagon socket M6	150/ 5.906	170/ 6.693	120/ 4.724	28/ 1.102	26/ 1.024	52/ 2.047	13/ 0.512	42/ 1.654	10/ 0.394	213-0203.03	
a1) with countersunk M5	150/ 5.906	170/ 6.693	120/ 4.724	28/ 1.102	26/ 1.024	52/ 2.047	13/ 0.512	42/ 1.654	10/ 0.394	213-0204.03	

Screws 09.05