

# 6-1411SL Dish Handle SNAP-LINE

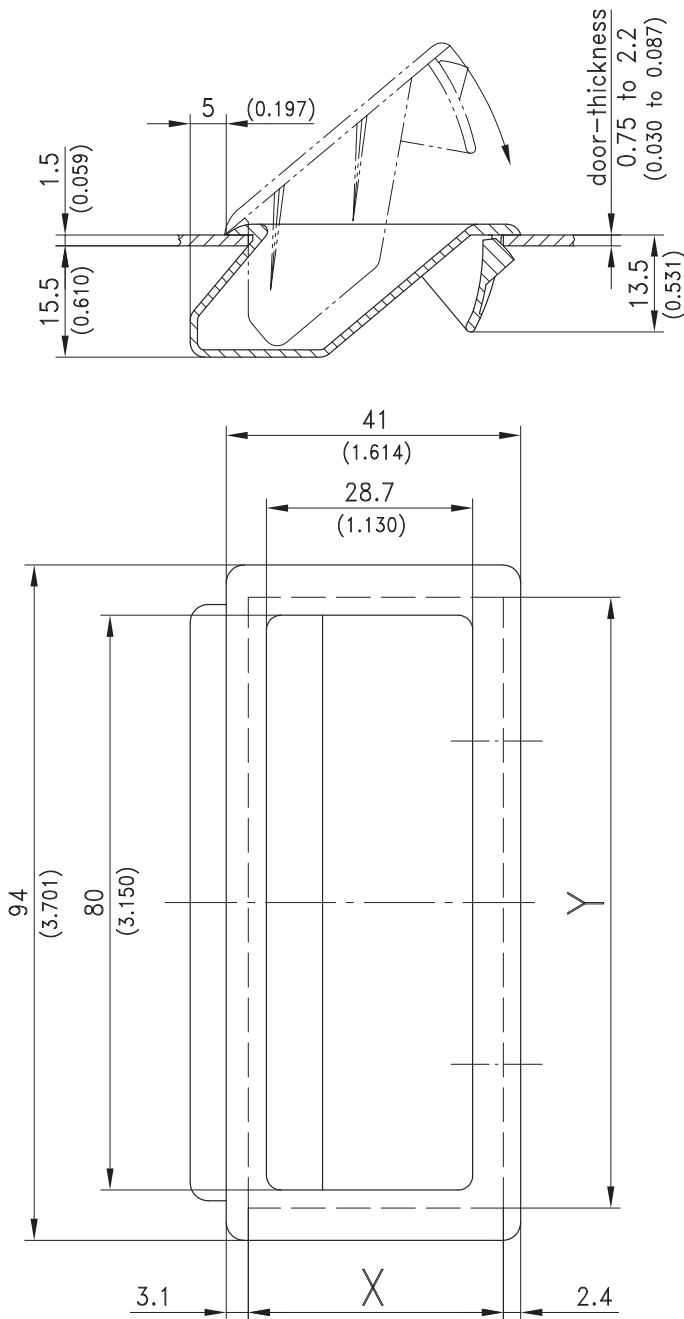
Polyamide, clip-in



Dish handle SNAP-LINE, clip-in for door-thickness 0.75 to 2.2mm (0.030 to 0.087).

**Material:**  
• PA, black

- The dimensions of the cutouts for different door-thicknesses are indicated in the table mentioned below.



Handle dish small		Part No.	
		213-0703.03-00000	
Door-thickness in mm	Dimensions of cutout in mm		
	X	Y	
0.75 - 0.79	34.8+0.2	85,0+0,2	
0.8 - 1.4	35.0+0.2	85.0+0.2	
1.5 - 2.2	36.0+0.2	85.0+0.2	