

# 6-1410SL Dish Handle SNAP-LINE

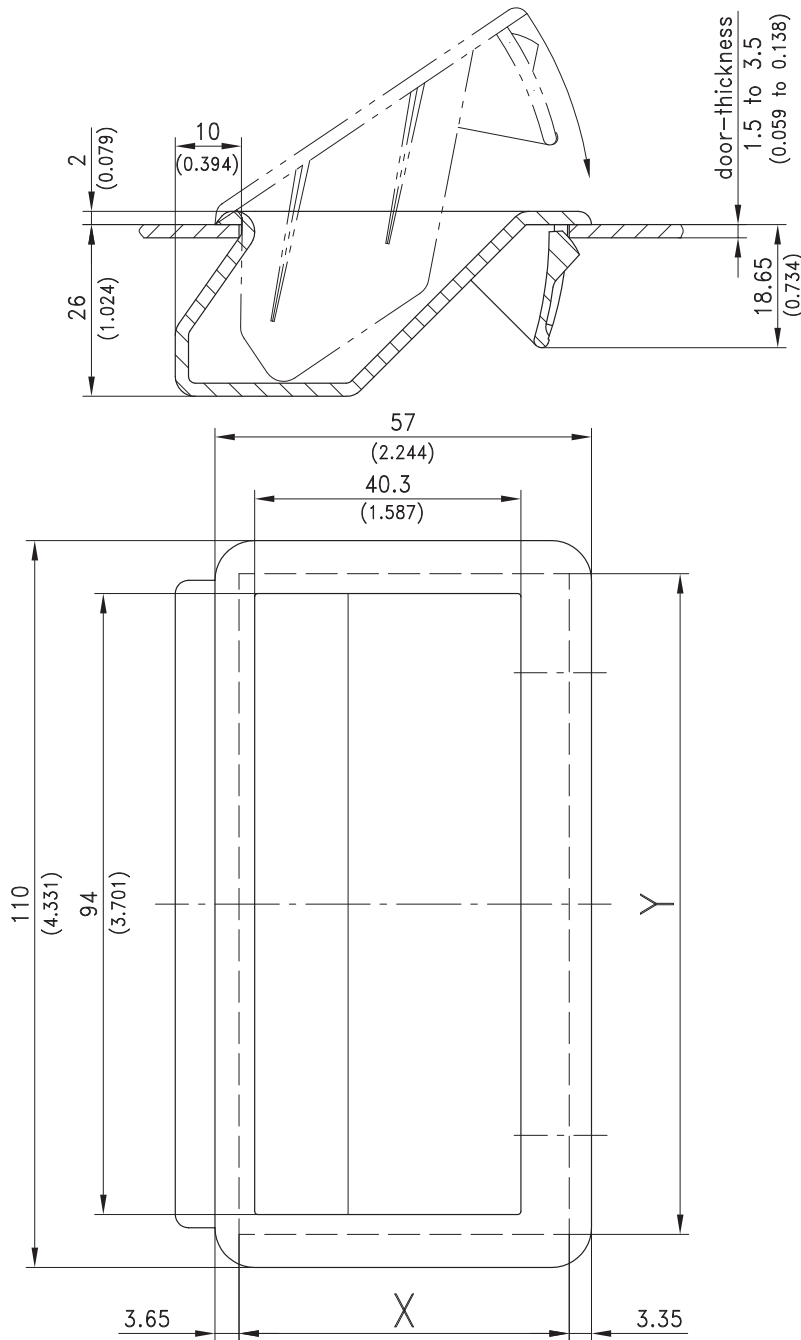
Polyamide, clip-in



Dish handle SNAP-LINE, clip-in for door-thickness 1.5 to 3.5mm (0.059 to 0.138).

**Material:**  
• PA, black

- The dimensions of the cutouts for different door-thicknesses are indicated in the table mentioned below.



Dish Handle		Part No.	
		213-0705.51	
Door-thickness in mm	Dimensions of cutout in mm		
	X	Y	
1.5-2.0	49.6+0.2	100-0.5	
2.0-3.2	50.3+0.3	100-0.5	
3.2-3.5	51+0.3	100-0.5	