

# 6-1000 Bridge Handle

Polyamide, with plugs

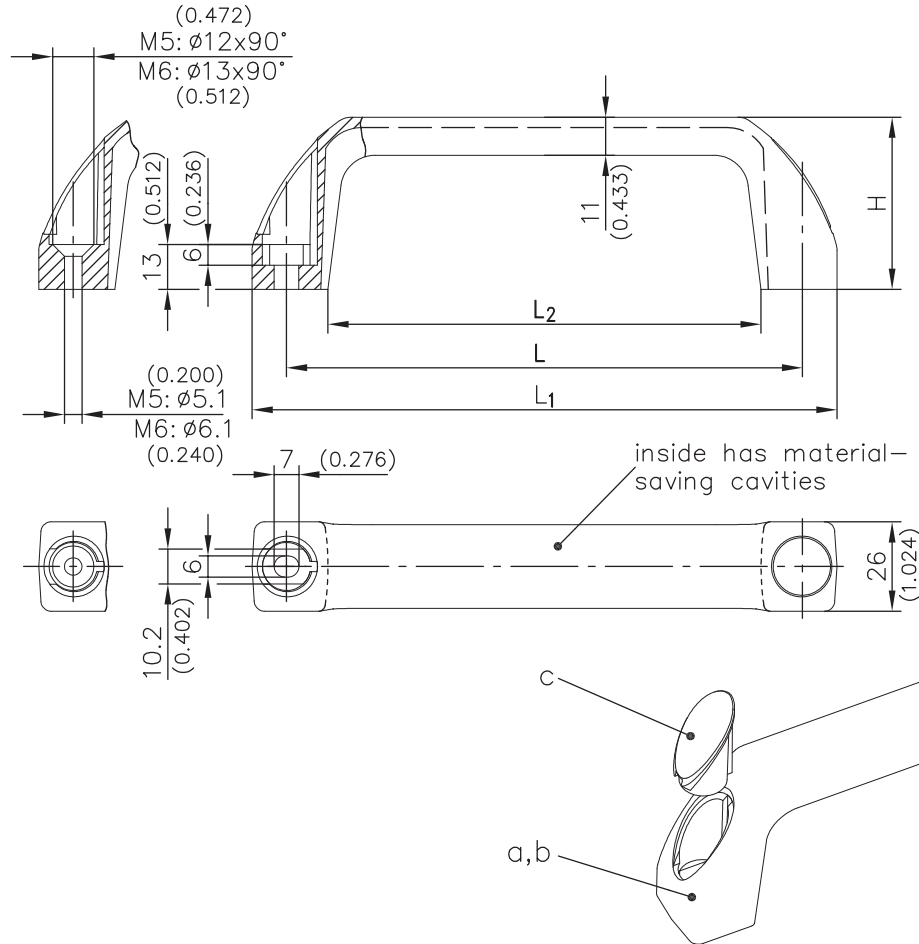


Polyamide handle, two sizes.

- Fastening by hex. socket head cap screws, or hex. screws or with countersunk screws.
- Plugs in different colors or with logo on request.

## Material:

- PA, black



		L/inch	L1/inch	L2/inch	H/inch	Part No.	see page
<b>a) Polyamide handle complete, with 2 plugs</b>							
a1) for hex. socket head cap screws / hex. screws	M6	150/5.906	170/6.693	126/4.961	50/1.969	<b>213-9201</b>	
a2) for countersunk screws	M5	150	170	126	50	<b>213-9202</b>	
a3) for hex. socket head cap screws / hex. screws	M6	122/4.803	142/5.591	98/3.543	50	<b>213-9203</b>	
a4) for countersunk screws	M5	122	142	98	50	<b>213-9204</b>	
a5) for countersunk screws	M6	122	142	98	50	<b>213-9205</b>	
a6) for hex. screws	M6	122	142	98	41/1.614	<b>213-9206</b>	
a7) for countersunk screws	M5	122	142	98	41	<b>213-9207</b>	
<b>b) Polyamide handle only (without plugs)</b>							
b1) for hex. socket head cap screws / hex. screws	M6	150	170	126	50	<b>213-0205.03-00000</b>	
b2) for countersunk screws	M5	150	170	126	50	<b>213-0206.03-00000</b>	
b3) for hex. socket head cap screws / hex. screws	M6	122	142	98	50	<b>213-0208.03-00000</b>	
b4) for countersunk screws	M5	122	142	98	50	<b>213-0209.03-00000</b>	
b5) for countersunk screws	M6	122	142	98	50	<b>213-0210.03-00000</b>	
<b>c) Plugs (2 plugs per handle)</b>						<b>213-0207.03-00000</b>	
<b>Screws</b>							<b>09.05</b>