

7-145 Concealed Hinge Pr03 120°

for door bending 20mm, for surface mounted door, stainless steel AISI 304

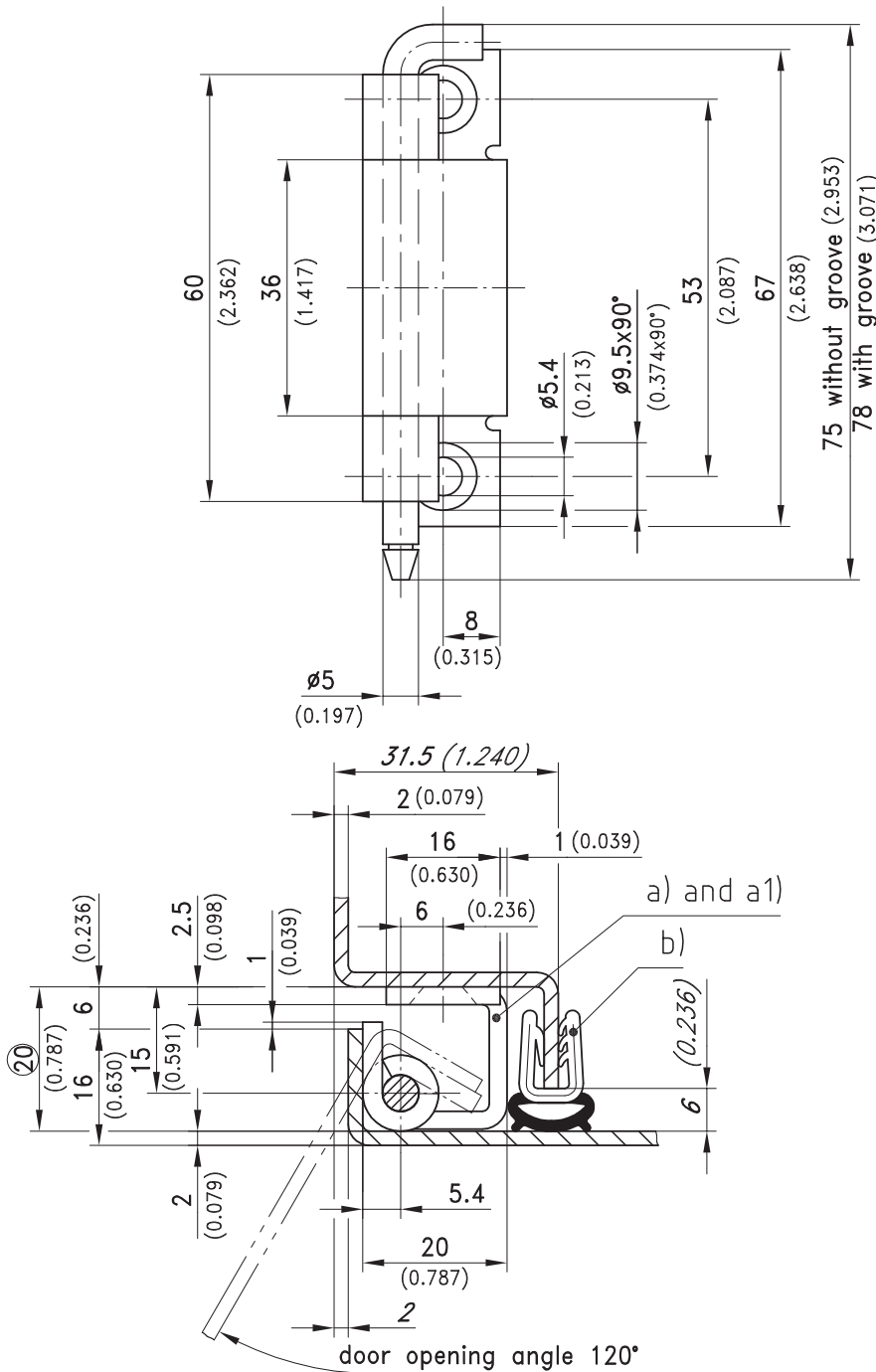


120° Concealed hinge for surface mounted door.

- RH or LH application.
- Opening angle 120°.

Material:

- Hinge parts and pin: stainless steel AISI 304



120° Concealed Hinge	Part No.	see page
a) pin without groove	216-9115	
a1) pin with groove (incl. C-clip)	216-9116	
b) e.g. Clip-on profile	209-0201	07.19