

4-320 Hinge Pr04 180°

for surface mounted door, with PA bushings



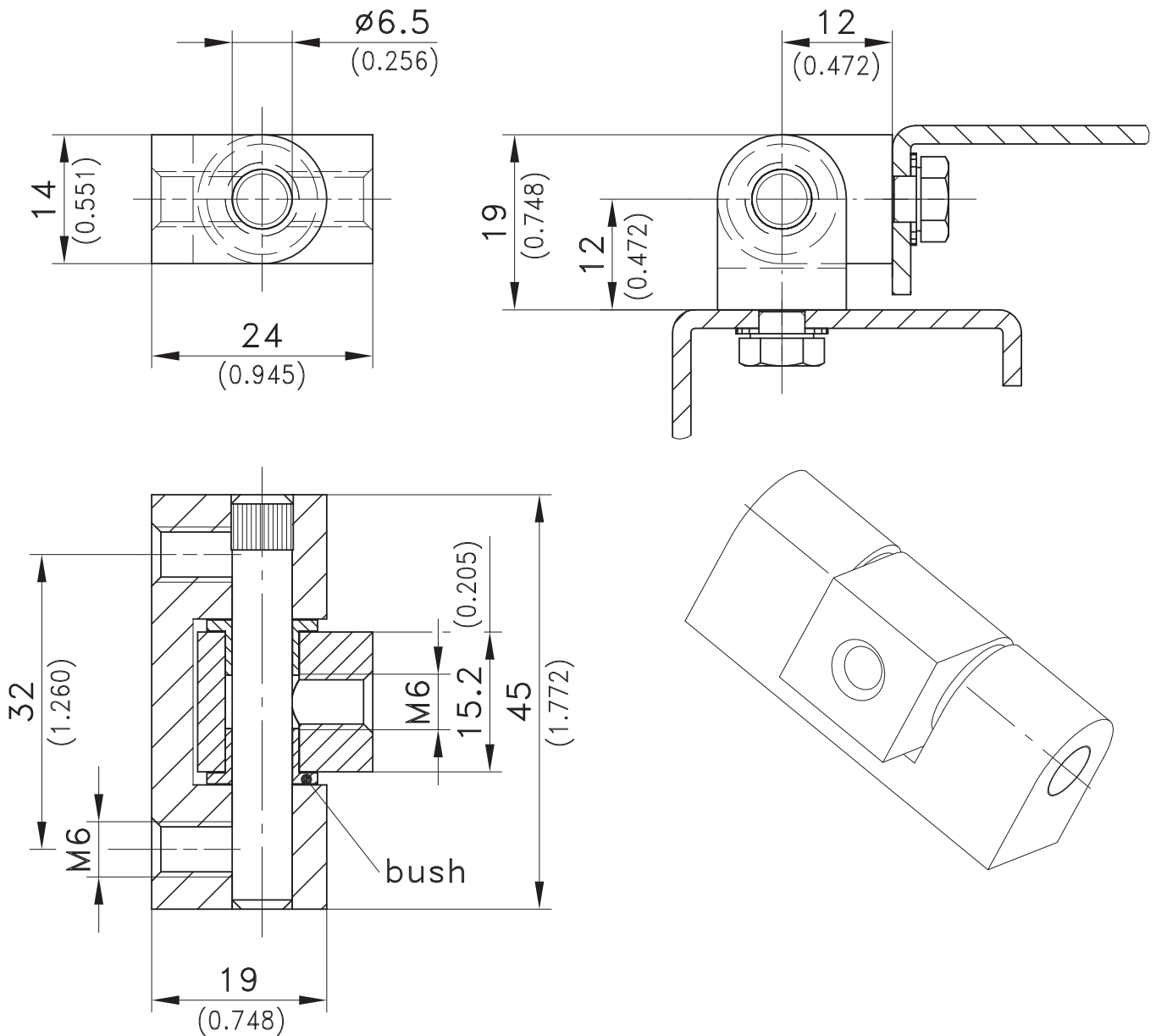
Hinge for surface mounted doors.
 • RH or LH application.

Material:

- **Frame- and middle-part:** zinc die, chrome plated or black coated
- **Pin:** stainless steel
- **Bushings:** PA, natural



Examples of application



version	chrome plated	black	see page
Hinge	217-9001	217-9002	
Screws			09.04