

# 4-330 Hinge Pr01 180°

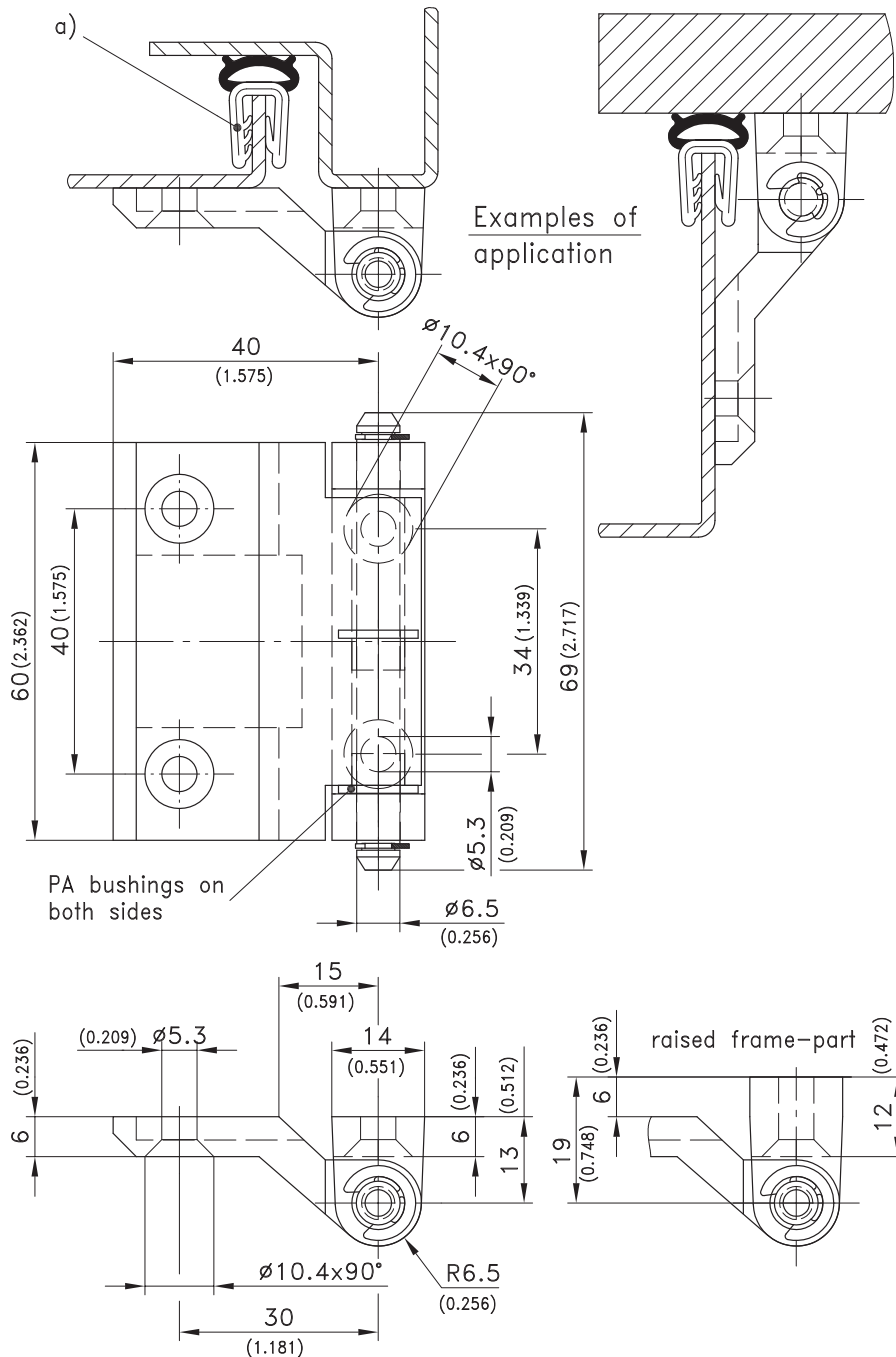
for nested door, with PA bushings



180° Hinge with PA bushings.  
 • 180° Opening angle.

**Material:**

- **Hinge halves:** zinc die, chrome plated or black coated
- **Pin:** stainless steel or steel, zinc plated
- **Bushings:** PA, natural



version	Standard frame-part chrome plated	Standard frame-part black	Raised frame-part chrome plated	Raised frame-part black	see page
<b>Hinge with PA bushings</b>					
Pin: steel zinc plated	217-9109	217-9101	217-9116	217-9103	
Pin: stainless steel	217-9110	217-9102	217-9117	217-9104	
Countersunk machine screws zinc plated					09.05
a) e.g. Clip-on Profiles				209-0201	07.19