

4-346 Hinge Pr01 160°

Lift-off, for nested door

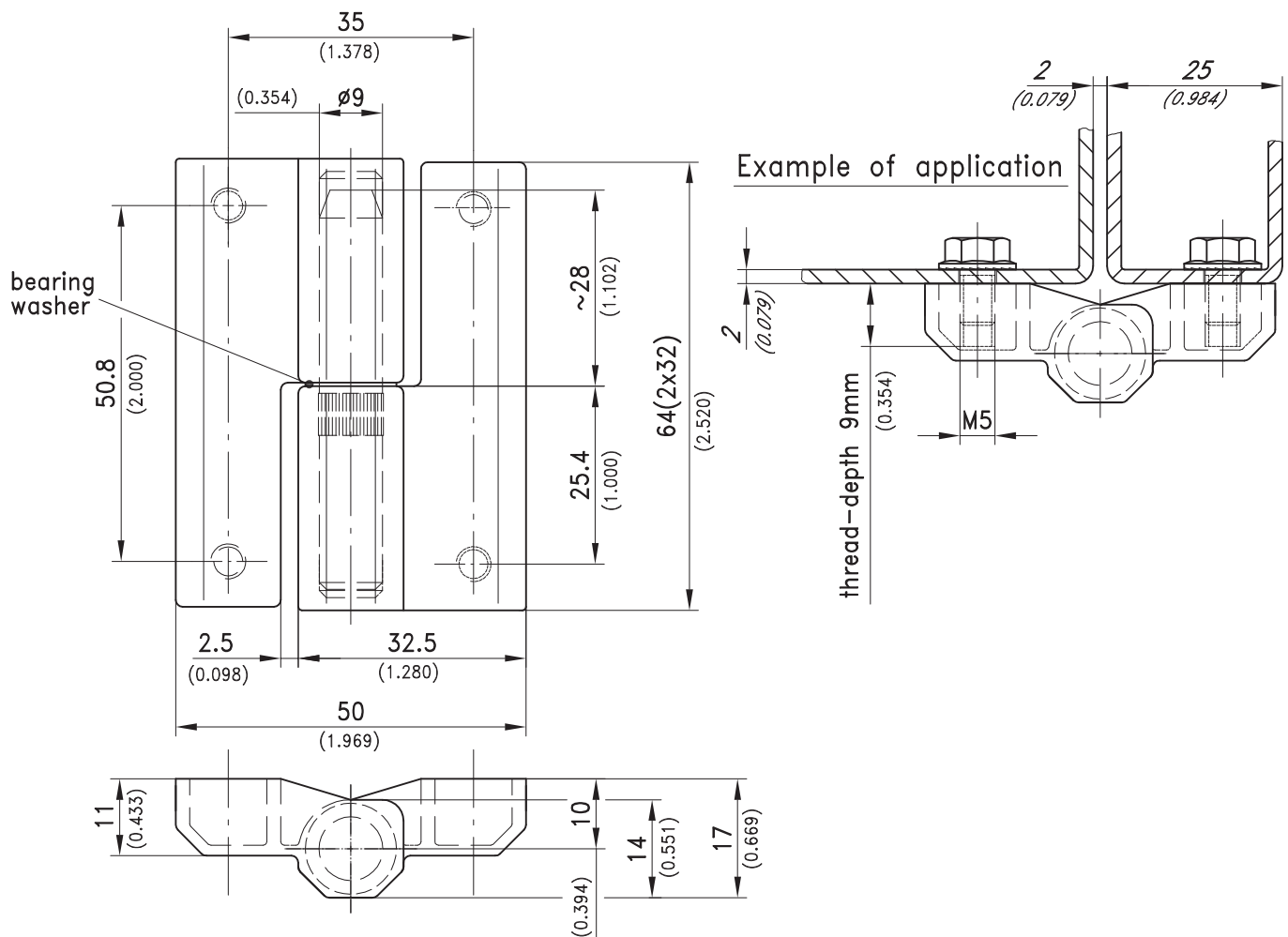
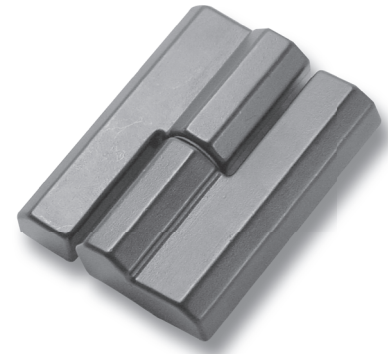


Elegant screw-on Hinge for nested doors, lift off.

- 160° Opening angle.
- The fitting screws are concealed.
- See product system 4-345.
- The 35mm screw-distance allows for easier fitting.

Material:

- **Hinge Parts:** zinc die, chrome plated or black coated
- **Pin:** stainless steel
- **Bearing washer:** Teflon, black or white



	chrome plated RH (as drawn)	chrome plated LH	black RH (as drawn)	black LH
Screw-on hinge	217-9507	217-9508	217-9509	217-9510
4 screws M5x8 with under head serrations and a Teflon bearing washer are included.				