

4-250 Hinge Pr01 180°

40x40mm, for nested door

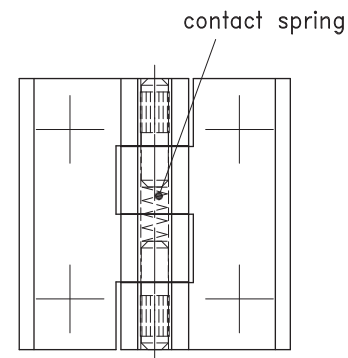
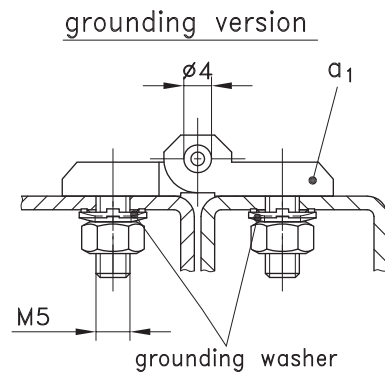
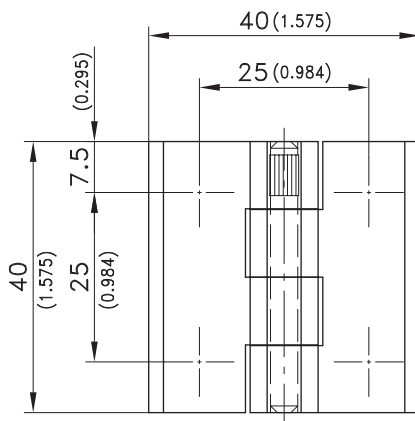
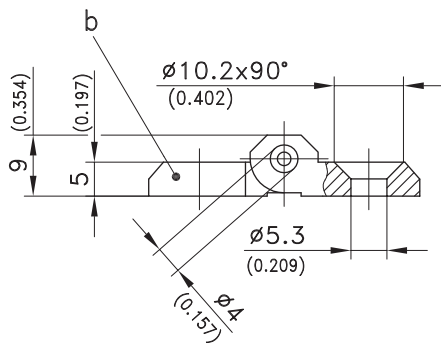
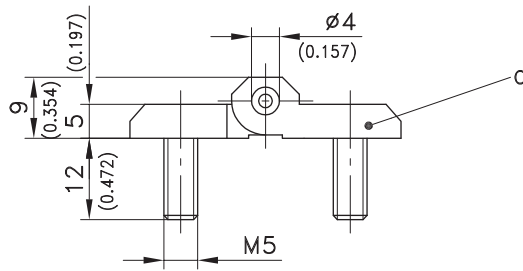


Screw-on Hinge with or without grounding.

- RH or LH application.
- 180° Opening angle, version b) 270°.

Material:

- **Hinge halves:** zinc die, chrome plated or black
- **Pin and molded in screws:** stainless steel
- **Grounding washer:** steel, zinc plated
- **Spring:** spring steel



grounding version
limited current passage

version	chrome plated	black	see page
a) Hinge with screws M5 molded in	218-9001	218-9002	
a1) as a), but grounding version	-	218-9402	
b) Hinge with countersunk holes for M5	218-9003	218-9004	
Grounding washer for a1), 4 pieces	861-0176.07-00005	861-0176.07-00005	
Combination of versions a) and b) on request.			
Version b) in stainless steel			10.56
Countersunk machine screws zinc plated			09.05