

4-260 Hinge Pr01 270°

50x50mm, for nested door

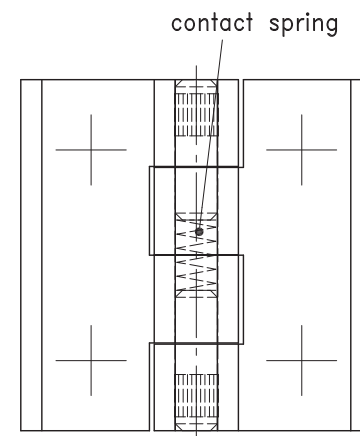
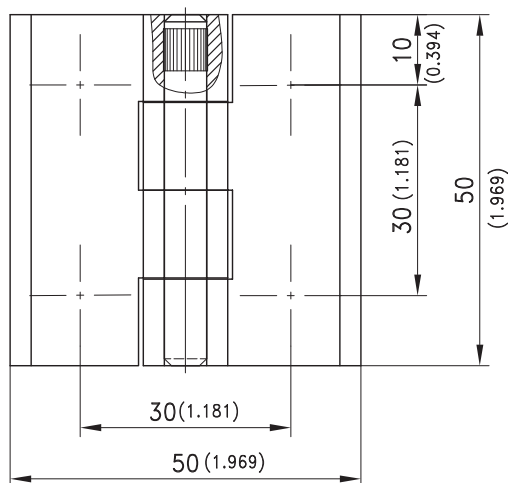
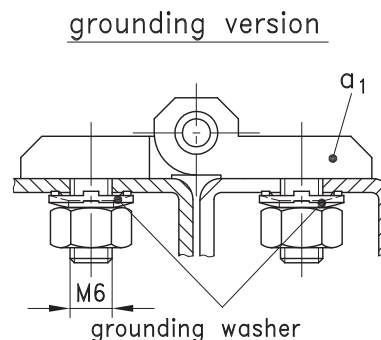
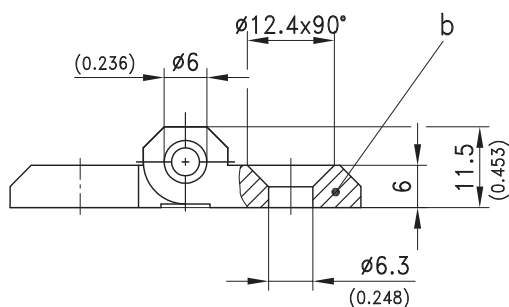
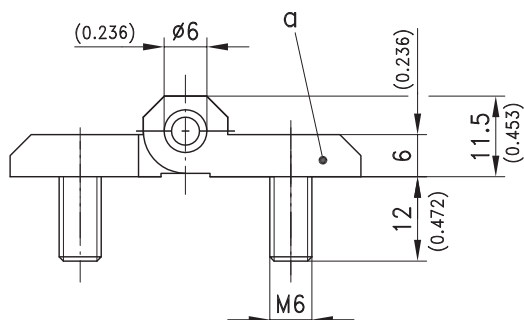
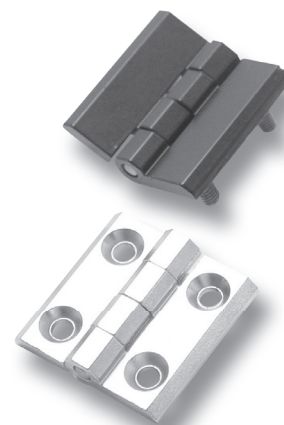


Screw-on Hinge with or without grounding device.

- RH or LH application.
- 180° Opening angle, version b) 270°.

Material:

- **Hinge halves:** zinc die, chrome plated or black
- **Pin and molded in screws:** stainless steel
- **Grounding washer:** steel, zinc plated
- **Spring:** spring steel



grounding version
limited current passage

version	chrome plated	black	see page
a) Hinge with screws M6 molded in	218-9101	218-9102	
a1) with screws M6 molded in, grounding version	-	218-9412	
b) with countersunk holes for M6	218-9103	218-9104	
Grounding washer for a1), 4 pieces	800-0411	800-0411	
Combinations of version a) and b) on request.			
Version b) in stainless steel			10.56
Countersunk machine screws zinc plated			09.05