

# 4-262 Hinge Pr01 270°

for nested door

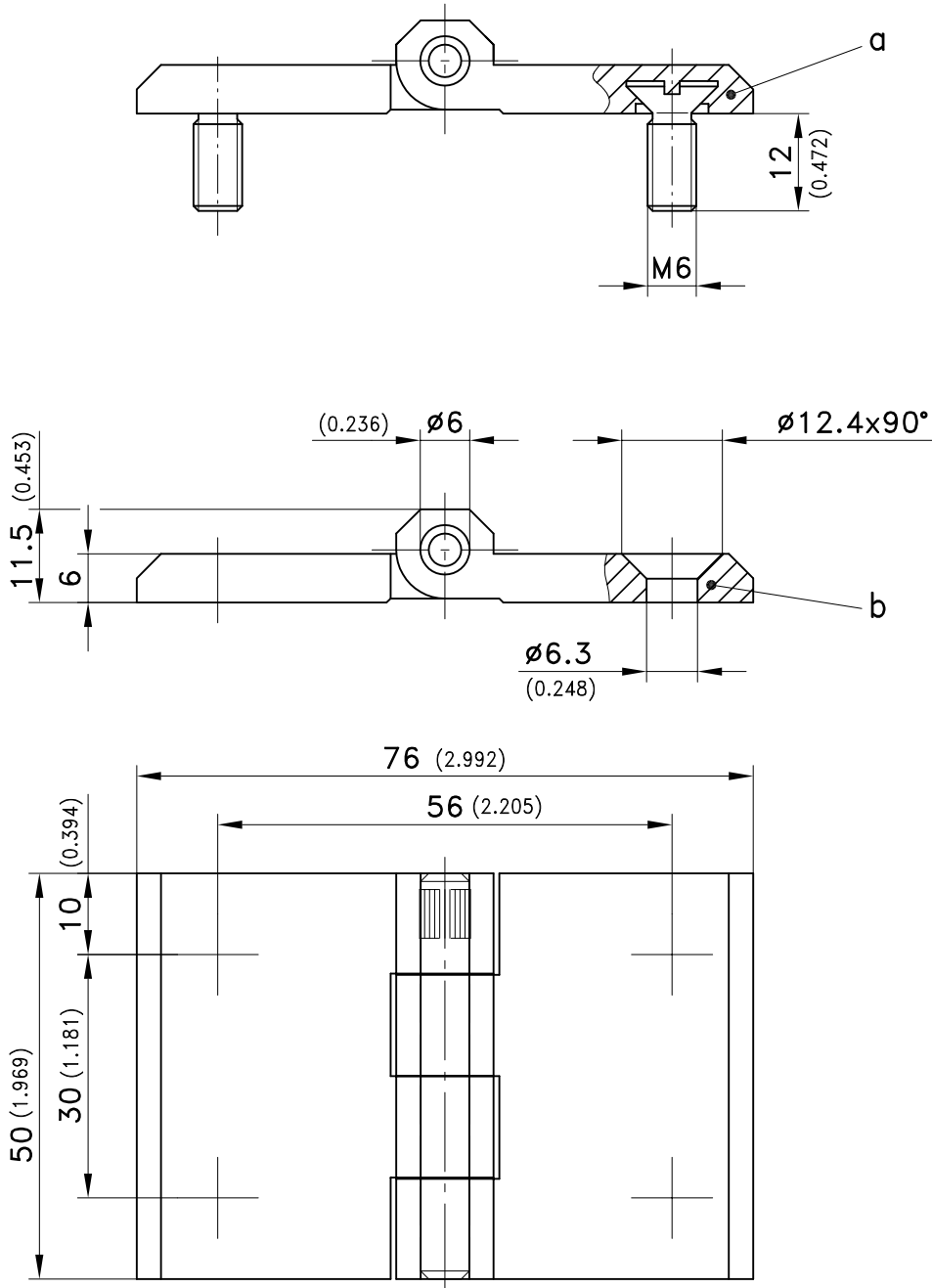
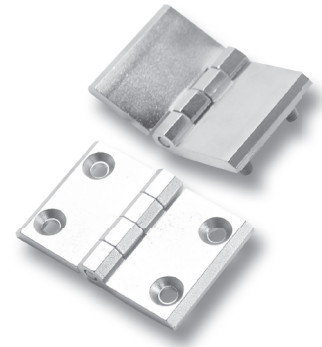


## Screw-on Hinge.

- RH or LH application.
- Version b) allows application around corner.
- Combination of versions a) and b) on request.

## Material:

- **Hinge halves:** zinc die, chrome plated or black
- **Pin:** stainless steel
- **Molded in countersunk screws:** steel, zinc plated



version	chrome plated	black	see page
a) Hinge with molded in countersunk screws M6	218-9105	218-9106	
b) Hinge with countersunk holes for M6	218-9107	218-9108	
Countersunk machine screws zinc plated			09.05
Version b) in stainless steel			10.57