

# 7-205 Hinge Pr01 125°

Lift-off, for nested door, stainless steel AISI 316

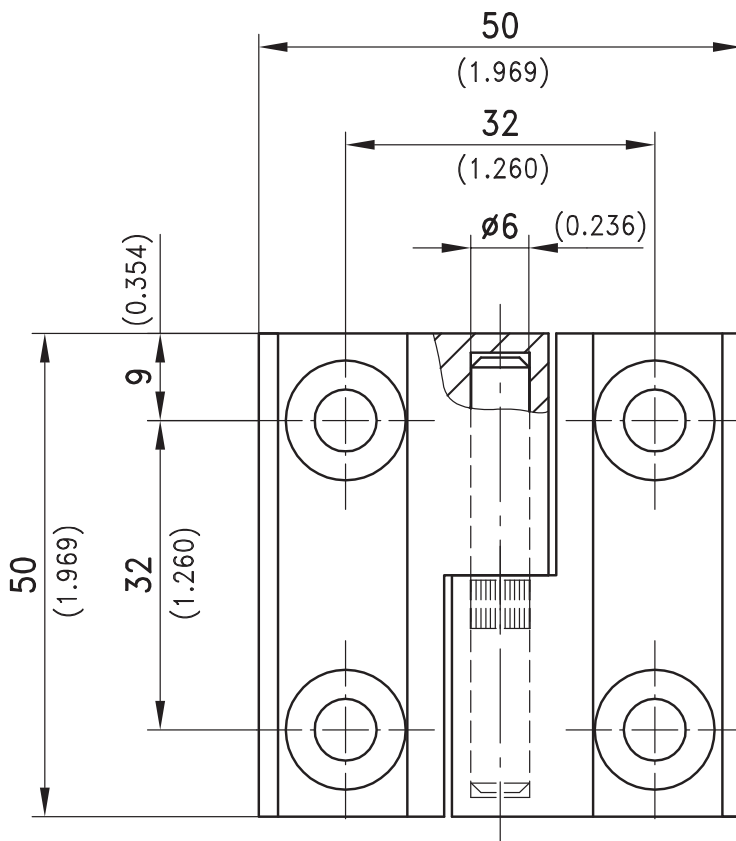
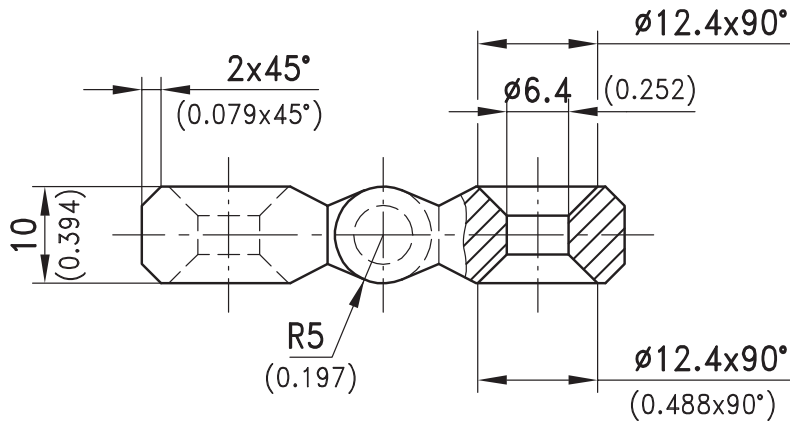


Lift-off hinge, with 125° opening angle.

- The double symmetrical lay-out allows RH and LH application.

## Material:

- Hinge parts and pin: stainless steel AISI 316



Hinge

Part No.  
218-9119