

# 4-272 Hinge Pr01 270°

for nested door

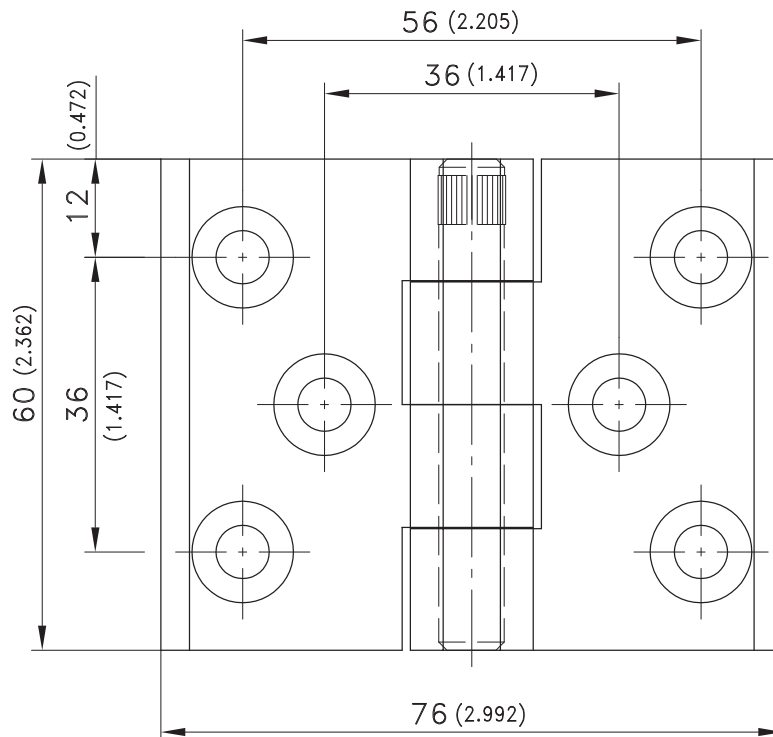
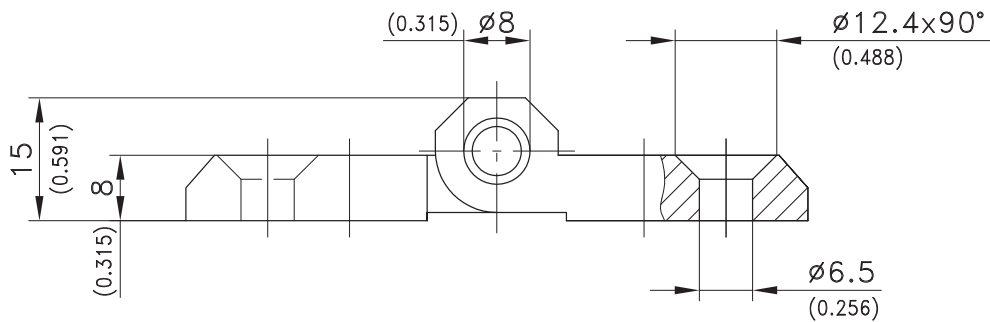
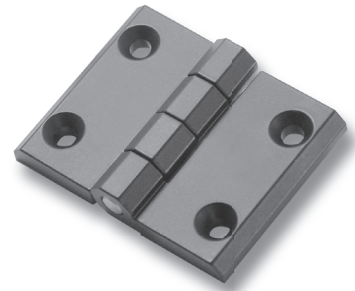


## Screw-on Hinge.

- RH or LH application.
- 270° Opening angle.
- Allowing application around corner.
- Combination of versions on request.

## Material:

- **Hinge halves:** zinc die, chrome plated or black
- **Pin:** stainless steel



version	chrome plated	black	see page
a) Hinge with 4 countersunk holes for screws M6	218-9205	218-9206	
b) for countersunk screws M6 with 6 countersunk holes	218-9207	218-9208	
Countersunk machine screws zinc plated			09.05