

4-400 Hinge PA Pr01 180°

60x40mm, for nested door, screw-on

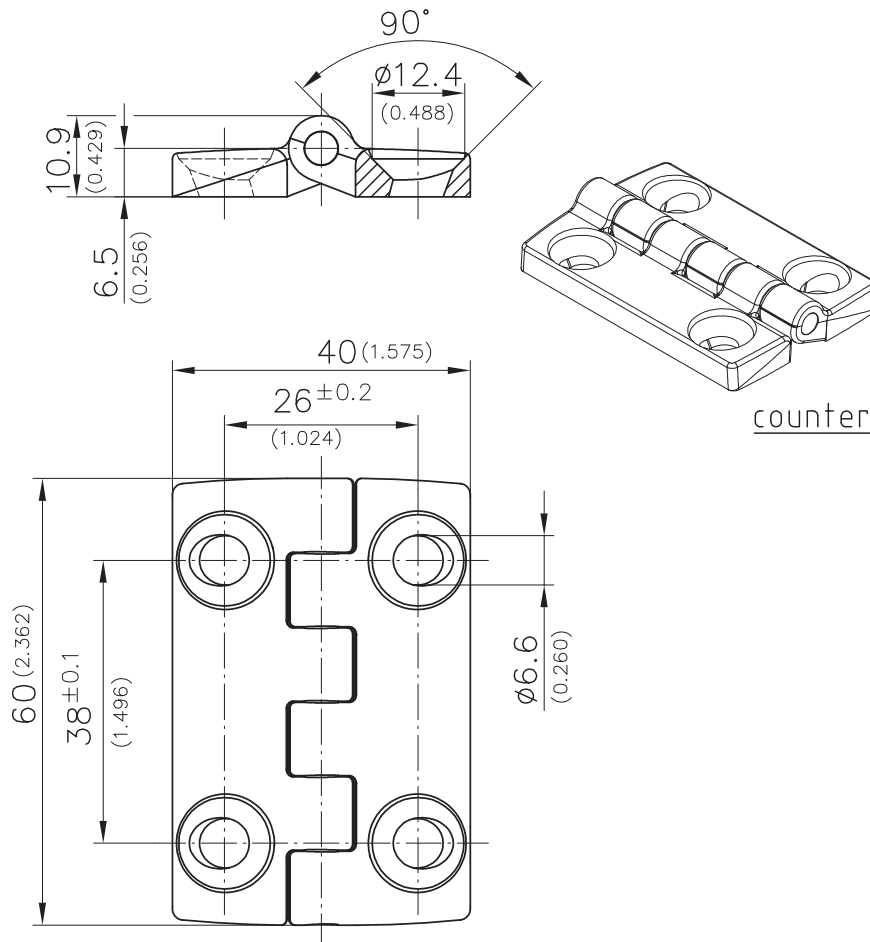
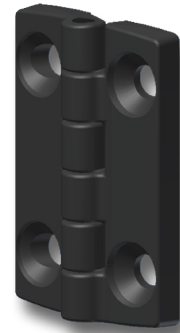


Elegantly designed screw-on hinge for countersunk screws according to DIN 7991, or DIN ISO 10642 and DIN 965 or DIN ISO 7046.

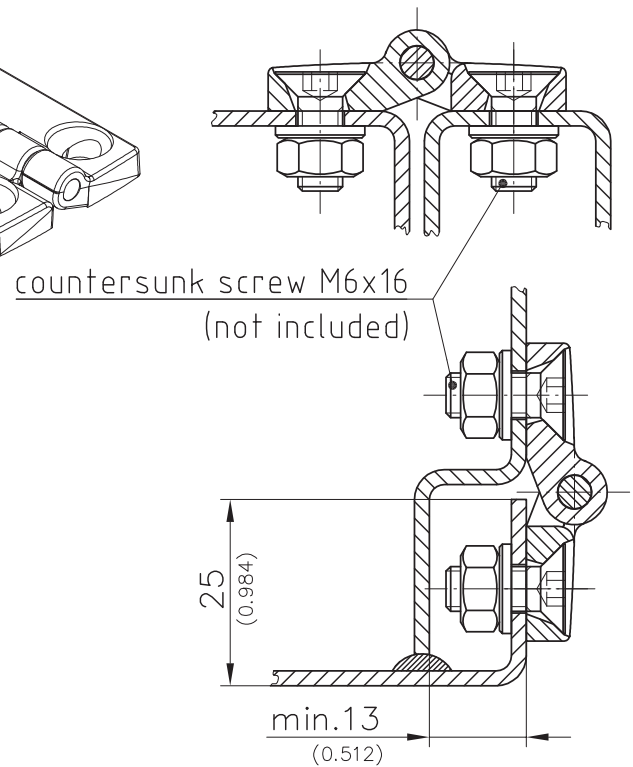
- LH and RH application.
- Opening angle 180°.
- Captive pin.
- Pin protected against loosening and falling out.
- Tight tolerance in knuckles insures proper alignment.
- 6-part knuckle-pin assembly.
- Lightweight.
- Corrosion resistant and flame resistant.
- Rounded corners.

Material:

- **Hinge:** PA6, black
- UL 94 V0 halogen free



Example of applications



Hinge PA

Part No.
218-9220